



CT301

## Perfect Pizza Anywhere

Kiosks, convenience stores, food trucks, the NEW Marsal countertop electric pizza ovens - perfect pizza even when space is at a premium.

- Easy to use, high efficiency controls with one hour timer. Located on the side, our controls will not overheat on stacked ovens.
- NEW .625" thick "Quick Heat Technology" baking stones for crispy crusts
- 3.875" deck heights - 30% more room between decks than the competition
- Safe door operation - stainless steel handles are raised 3.5" from the surface of the door
- 1.75" insulated doors - 15% thicker than the competition
- Available in single and two door models

**MARSAL**  
PIZZA OVENS

175 East Hoffman Avenue, Lindenhurst, NY 11757 • (613) 226-6688  
[www.marsalsons.com](http://www.marsalsons.com)

## ELECTRICAL SPECIFICATIONS

Voltage	Phase	Amperage	Power (KW)
<b>CT301</b>			
208	1	18	3.75
220	1	17	3.75
240	1	16	3.75
208	3	11	3.75
220	3	10	3.75
240	3	9	3.75
<b>CT302</b>			
208	1	36	7.5
220	1	34	7.5
240	1	32	7.5
208	3	21	7.5
220	3	20	7.5
240	3	18	7.5



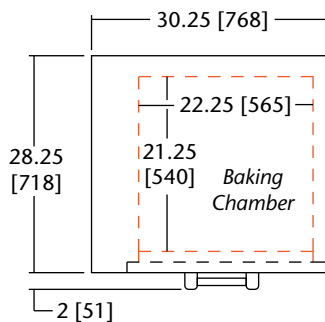
CT302

## COOKING DECK

	CT301	CT302
Number of doors	1	2
Number of cooking decks	2	4
Cooking deck dimensions	20.75" W x 20.75" D x .625" H	
Height between decks	3.875"	

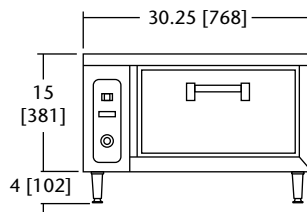
## DIMENSIONS

Dimensions are in inches [mm]

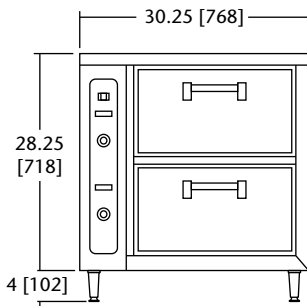


ALL MODELS

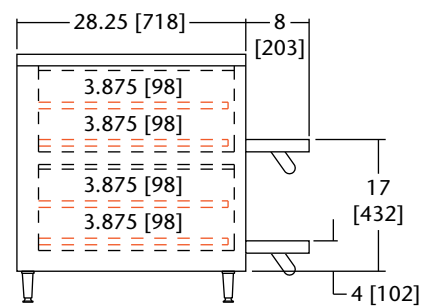
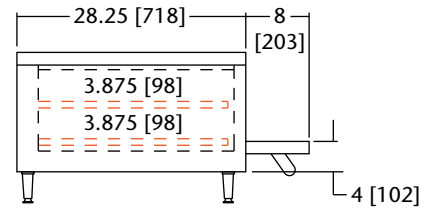
CT301



CT302



TOP VIEWS



SIDE VIEWS

