



**EDO SERIES: EDO 42, EDO 57 AND EDO 2136
ELECTRICAL PIZZA OVENS
REPLACEMENT PARTS LIST**

EFFECTIVE MAY 14, 2018

Superseding All Previous Parts Lists.

The Company reserves the right to make substitution in the event that items specified are not available.

ERRORS: Descriptive and/or typographic errors are subject to correction.

MARSAL

44 Lakeside Avenue, Burlington, VT 05401 USA Telephone: (802) 658-6600 Fax: (802) 864-0183
www.marsalsons.com

P/N 72145 Rev E

TABLE OF CONTENTS

CONTROL PANEL

ALL OVENS	3
-----------------	---

ELECTRICAL PANEL

EDO 42 AND EDO 576 OVENS	4
--------------------------------	---

EDO 2136 OVEN	5
---------------------	---

BAKING COMPARTMENT COMPONENTS

EDO 42 OVEN	6
-------------------	---

EDO 57 OVEN	7
-------------------	---

EDO 2136 OVEN	8
---------------------	---

DOOR PARTS

EDO 42 OVEN	9
-------------------	---

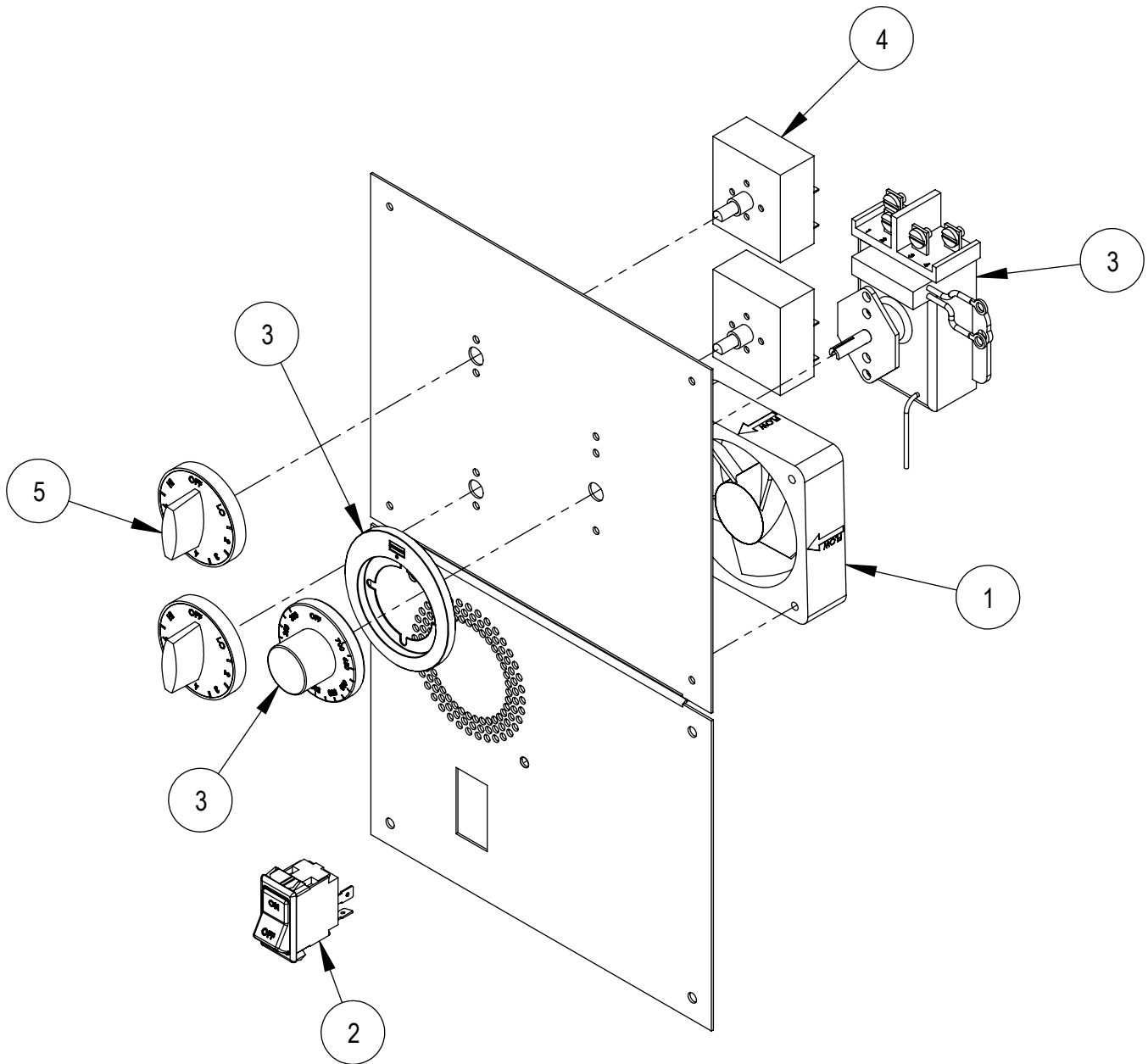
EDO 57 OVEN	10
-------------------	----

EDO 2136 OVEN	11
---------------------	----

ACCESSORIES	12
-------------------	----

CONTROL PANEL

OVENS WITH 2 PIECE CONTROL

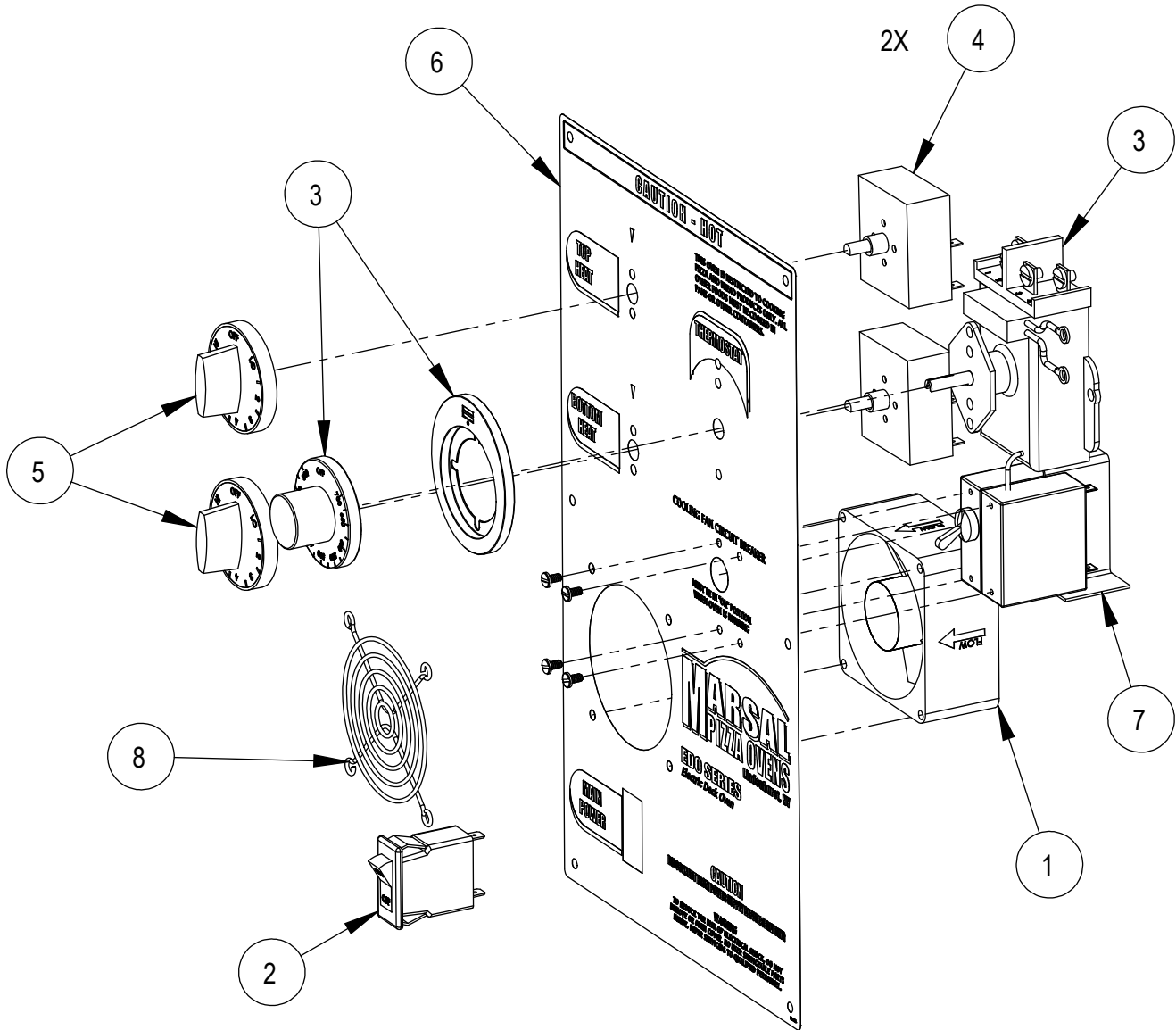


REF. NO.	PART NO.	DESCRIPTION
1	70438	FAN, 230VAC, 50-60HZ
2	71567	ON/OFF SWITCH
3	70435	EDO THERMOSTAT

REF. NO.	PART NO.	DESCRIPTION
	70446	THERMOSTAT KNOB ONLY
4	70437	INFINITE CONTROL
5	70445	KNOB, INFIINITE CONTROL

CONTROL PANEL

OVENS WITH 1 PIECE CONTROL

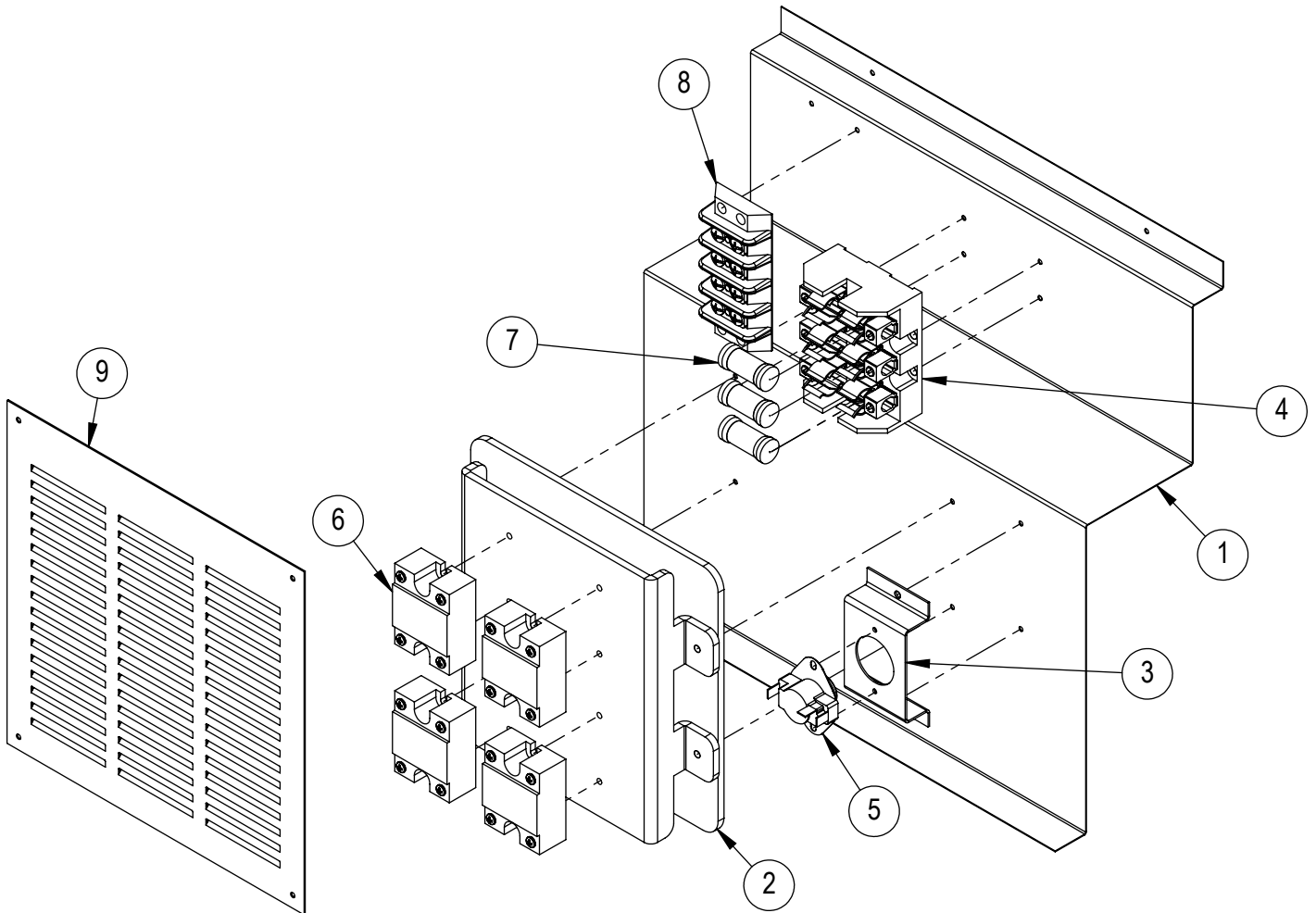


REF. NO.	PART NO.	DESCRIPTION
1	70438	FAN, 230V
2	71496	SWITCH, SINGLE POLE BREAKER, 0.5A
3	70435	EDO THERMOSTAT
4	71903	INFINITE CONTROL W/KNOB

REF. NO.	PART NO.	DESCRIPTION
5	70445	KNOB, INFINITE CONTROL
6	71623	DECAL, EDO CONTROL
7	72387	CIRCUIT BREAKER, 5A, 120/240VAC
8	72386	FAN GUARD, 3"

ELECTRICAL PANEL

EDO 42 AND EDO 57 OVENS WITH FUSES

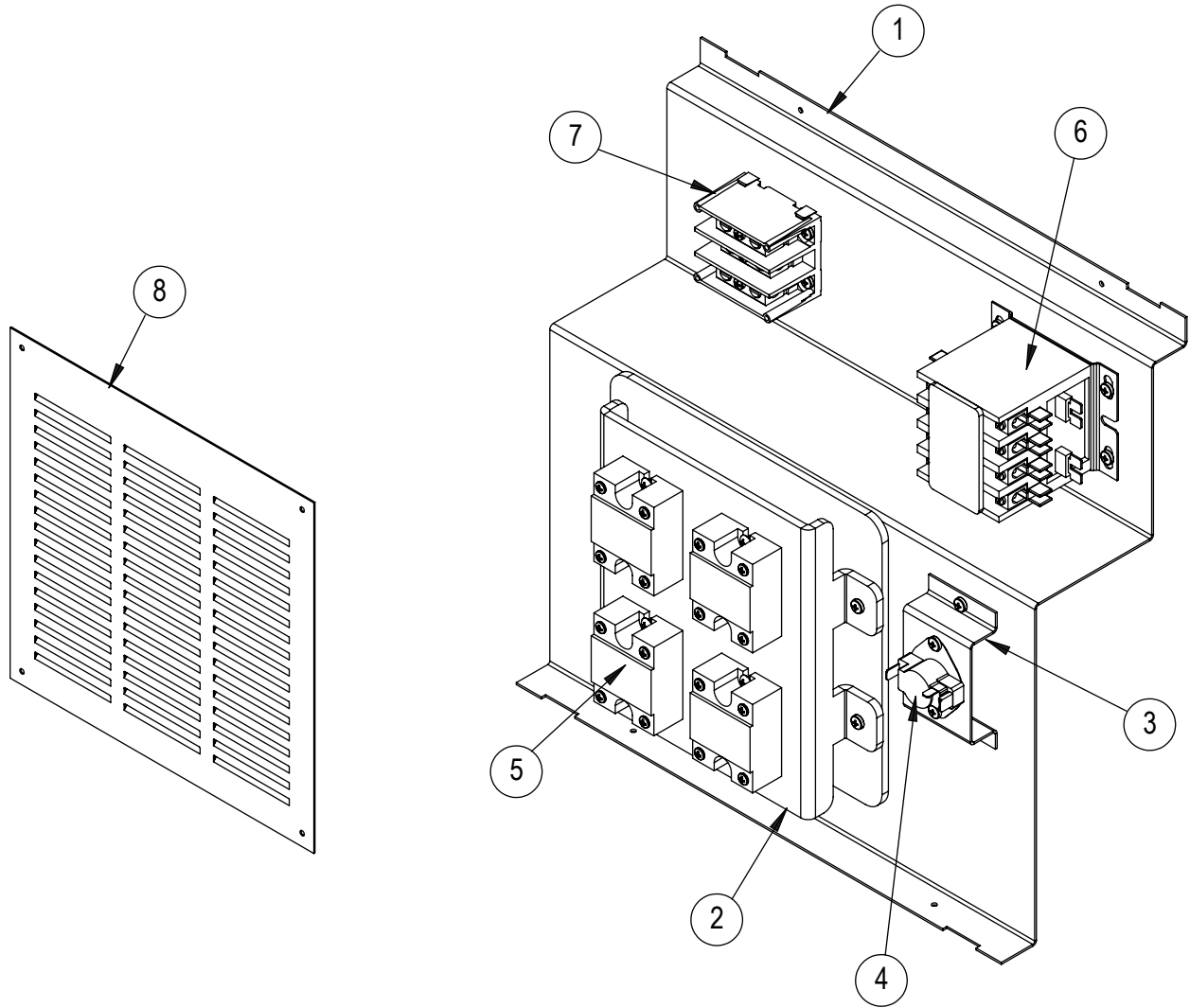


REF. NO.	PART NO.	DESCRIPTION
1	71543	EDO ELECTRICAL PANEL
2	71551	EDO HEATSINK ASSY
3	71541	EDO HI LIMIT BRACKET
4	71562	FUSE BLOCK, 3 POLE, 300V, 31-60A
5	70444	HI-LIMIT, SNAP DISC

REF. NO.	PART NO.	DESCRIPTION
6	70436	RELAY, SOLID STATE
7	70439	FUSE, 300VAC, 40A
8	71565	TERMINAL BLOCK, 600V, 30A
9	71568	EDO LOUVER PANEL

ELECTRICAL PANEL

EDO 42 AND EDO 57 OVENS WITH CONTACTORS

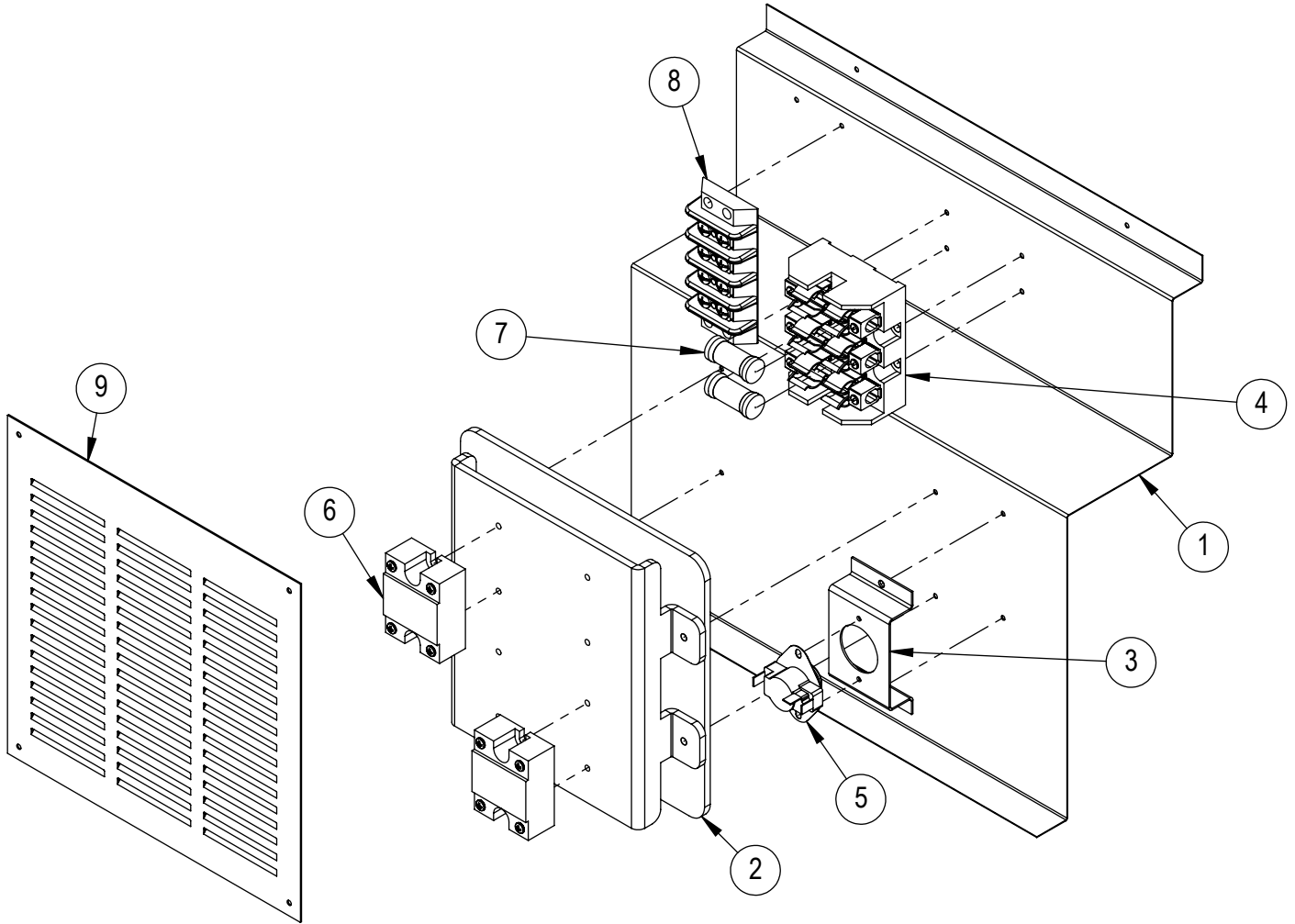


REF. NO.	PART NO.	DESCRIPTION
1	71543	EDO ELECTRICAL PANEL
2	71551	EDO HEATSINK ASSY
3	71541	EDO HI LIMIT BRACKET
4	70444	HI-LIMIT, SNAP DISC

REF. NO.	PART NO.	DESCRIPTION
5	70436	RELAY, SOLID STATE
6	71622	CONTACTOR, 4-OLE, 208-240V, 40 FLA
7	72334	TERMINAL BLOCK, 3 POLE
8	71568	EDO LOUVER PANEL

ELECTRICAL PANEL

EDO 2136 OVEN WITH FUSES

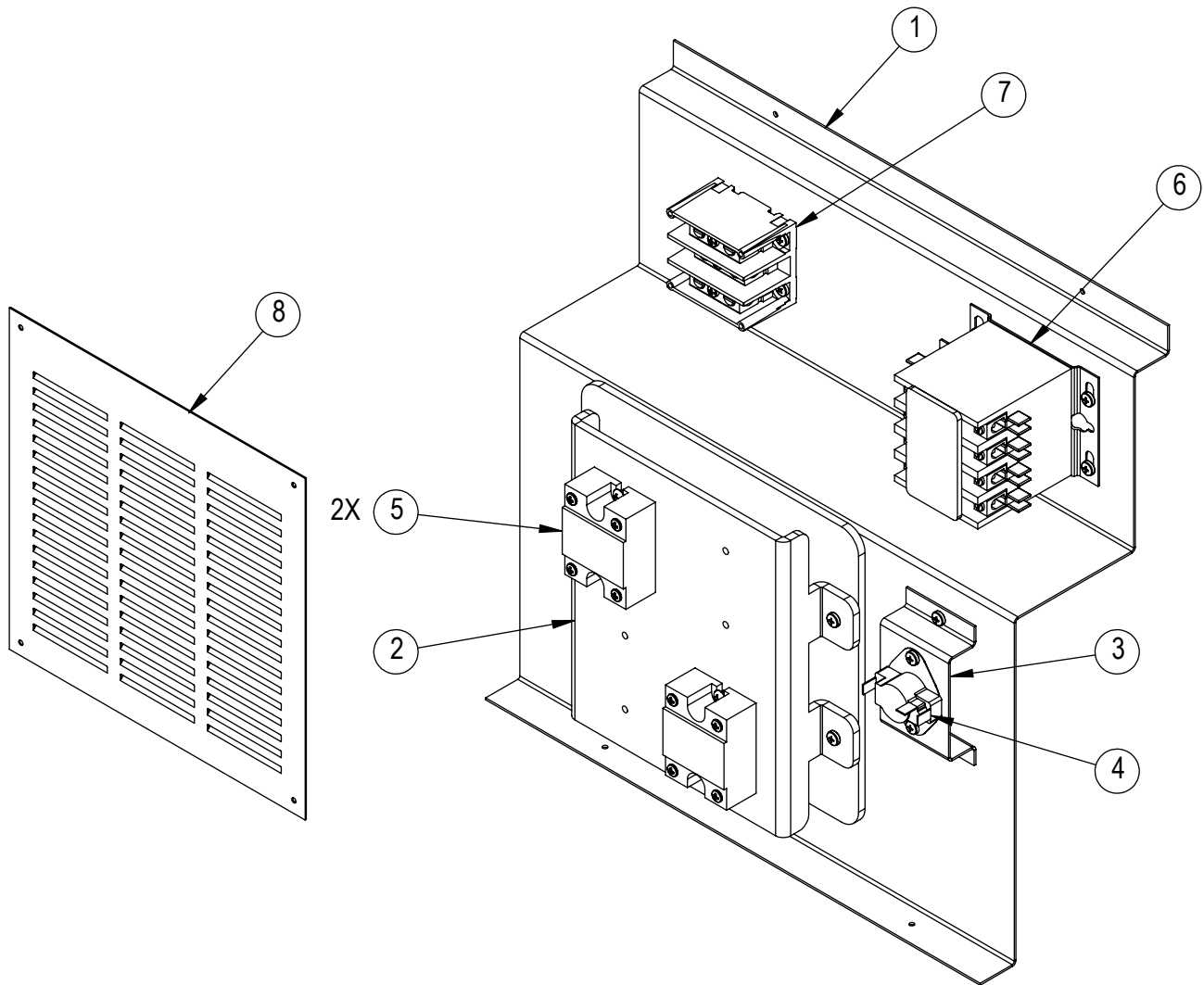


REF. NO.	PART NO.	DESCRIPTION
1	71543	EDO ELECTRICAL PANEL
2	71551	EDO HEATSINK ASSY
3	71541	EDO HI LIMIT BRACKET
4	71562	FUSE BLOCK, 3 POLE, 300V, 31-60A
5	70444	HI-LIMIT, SNAP DISC

REF. NO.	PART NO.	DESCRIPTION
6	70436	RELAY, SOLID STATE
7	70439	FUSE, 300VAC, 40A
8	71565	TERMINAL BLOCK, 600V, 30A
9	71568	EDO LOUVER PANEL

ELECTRICAL PANEL

EDO 2136 OVEN WITH CONTACTORS

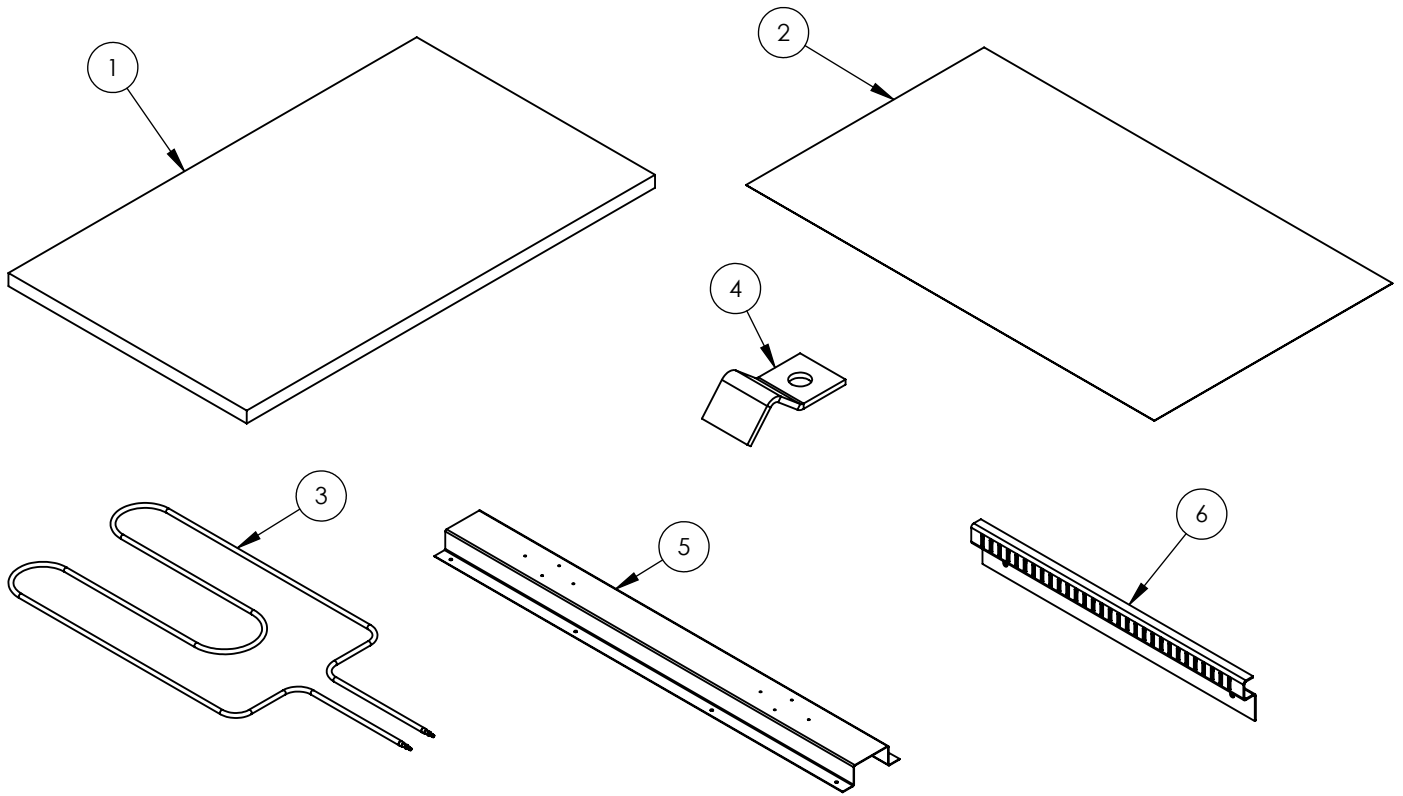


REF. NO.	PART NO.	DESCRIPTION
1	71543	EDO ELECTRICAL PANEL
2	71551	EDO HEATSINK ASSY
3	71541	EDO HI LIMIT BRACKET
4	70444	HI-LIMIT, SNAP DISC

REF. NO.	PART NO.	DESCRIPTION
5	70436	RELAY, SOLID STATE
6	71622	CONTACTOR, 4-POLE, 208-240V, 40 FLA
7	72334	TERMINAL BLOCK, 3 POLE
8	71568	EDO LOUVER PANEL

BAKING COMPARTMENT COMPONENTS

EDO 42 OVEN

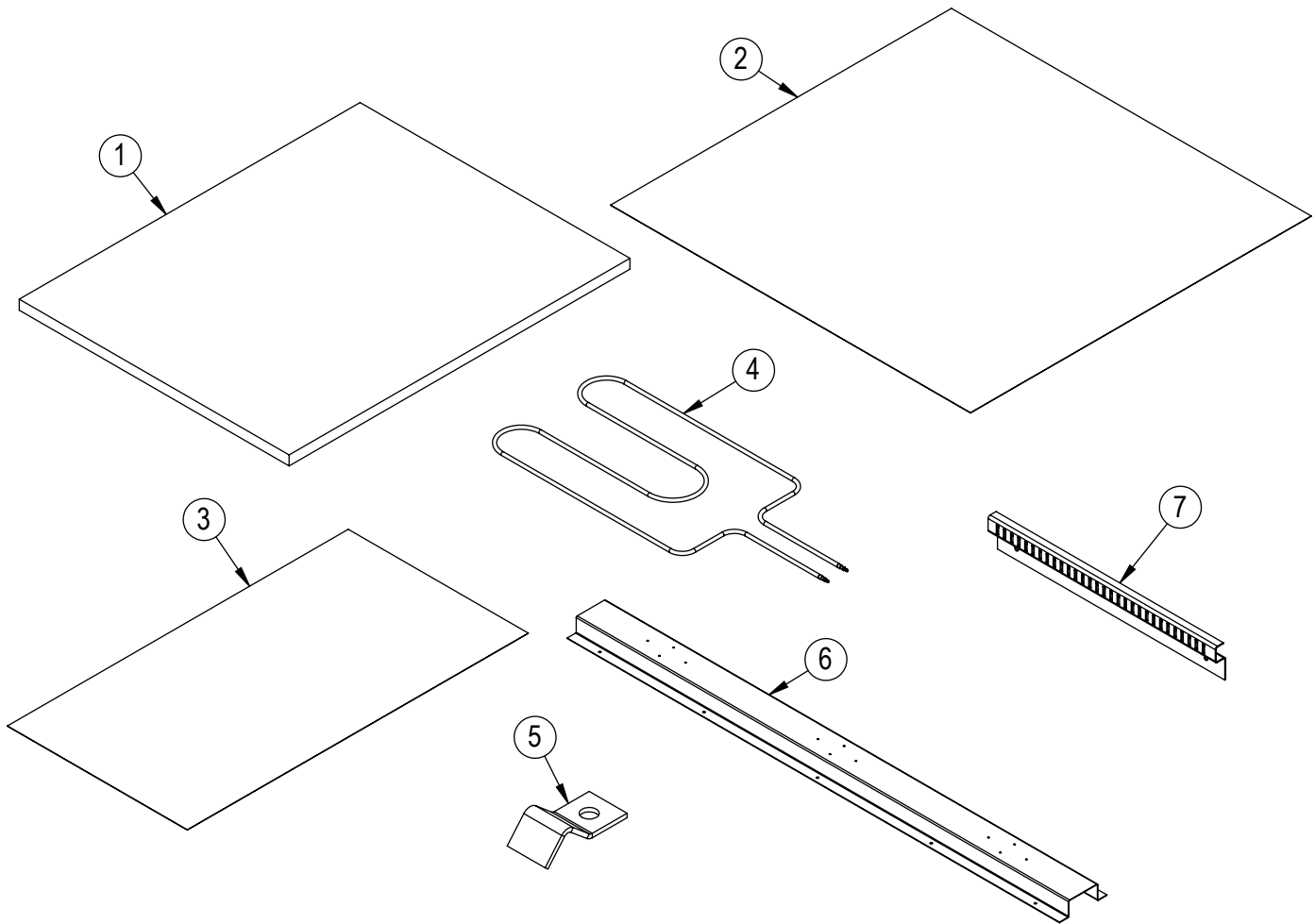


REF. NO.	PART NO.	DESCRIPTION
1	70390	DECK STONE 21 X 36 X 1
2	71519	BRICK PLATE
3	70440	ELEMENT, 208VAC
3	70441	ELEMENT, 240VAC

REF. NO.	PART NO.	DESCRIPTION
4	71556	ELEMENT HOLDOWN CLIP
5	71592	ELEMENT CHANNEL
6	71542	THERMOSTAT BULB GUARD

BAKING COMPARTMENT COMPONENTS

EDO 57 OVEN

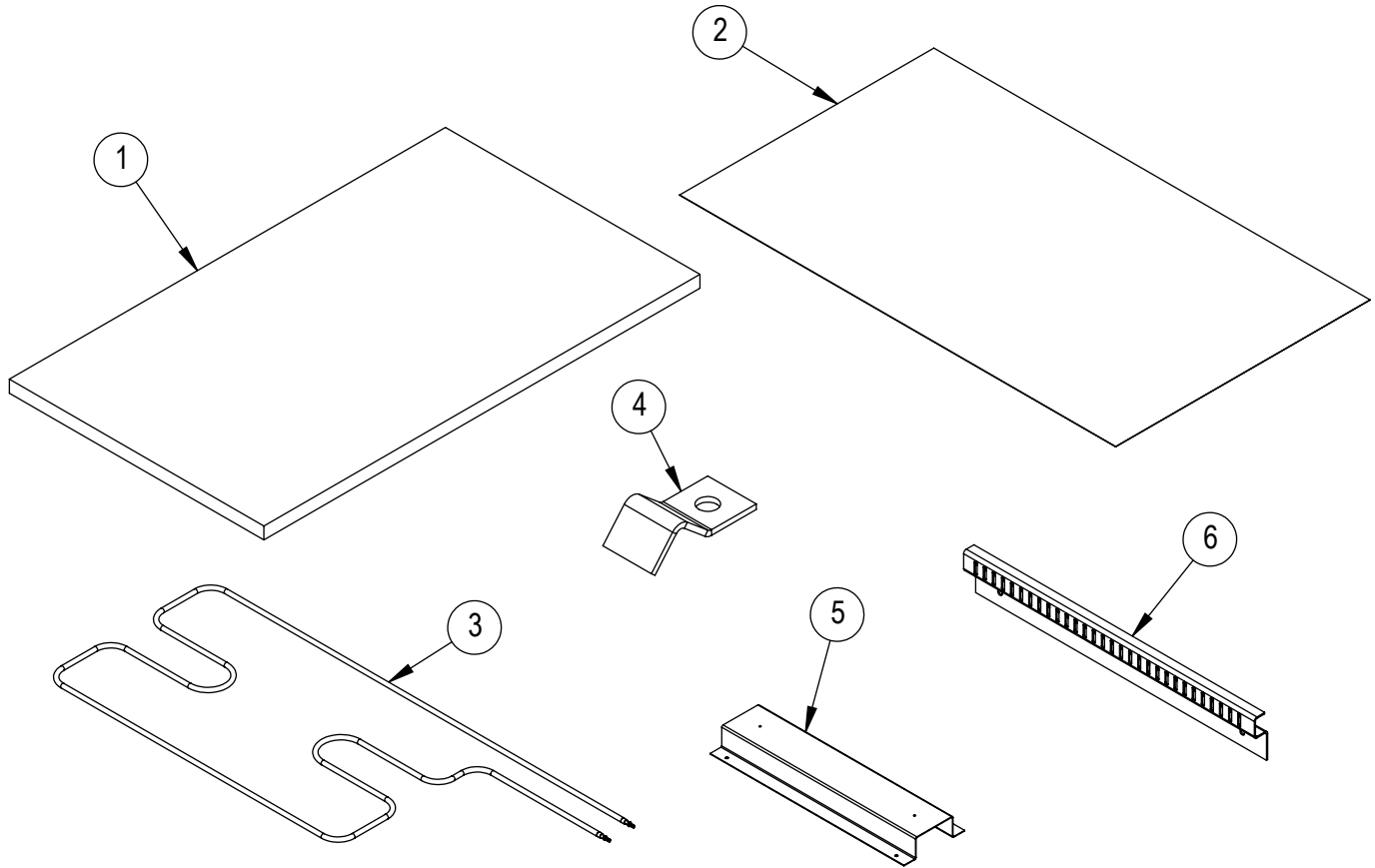


REF. NO.	PART NO.	DESCRIPTION
1	70484	DECK STONE, 28-1/2" X 36" X 1"
2	71634	BRICK PLATE, LH
3	71635	BRICK PLATE, RH
4	70440	ELEMENT, 208VAC

REF. NO.	PART NO.	DESCRIPTION
4	70441	ELEMENT, 240VAC
5	71556	ELEMENT HOLDOWN CLIP
6	71643	ELEMENT CHANNEL
7	71542	THERMOSTAT BULB GUARD

BAKING COMPARTMENT COMPONENTS

EDO 2136 OVEN

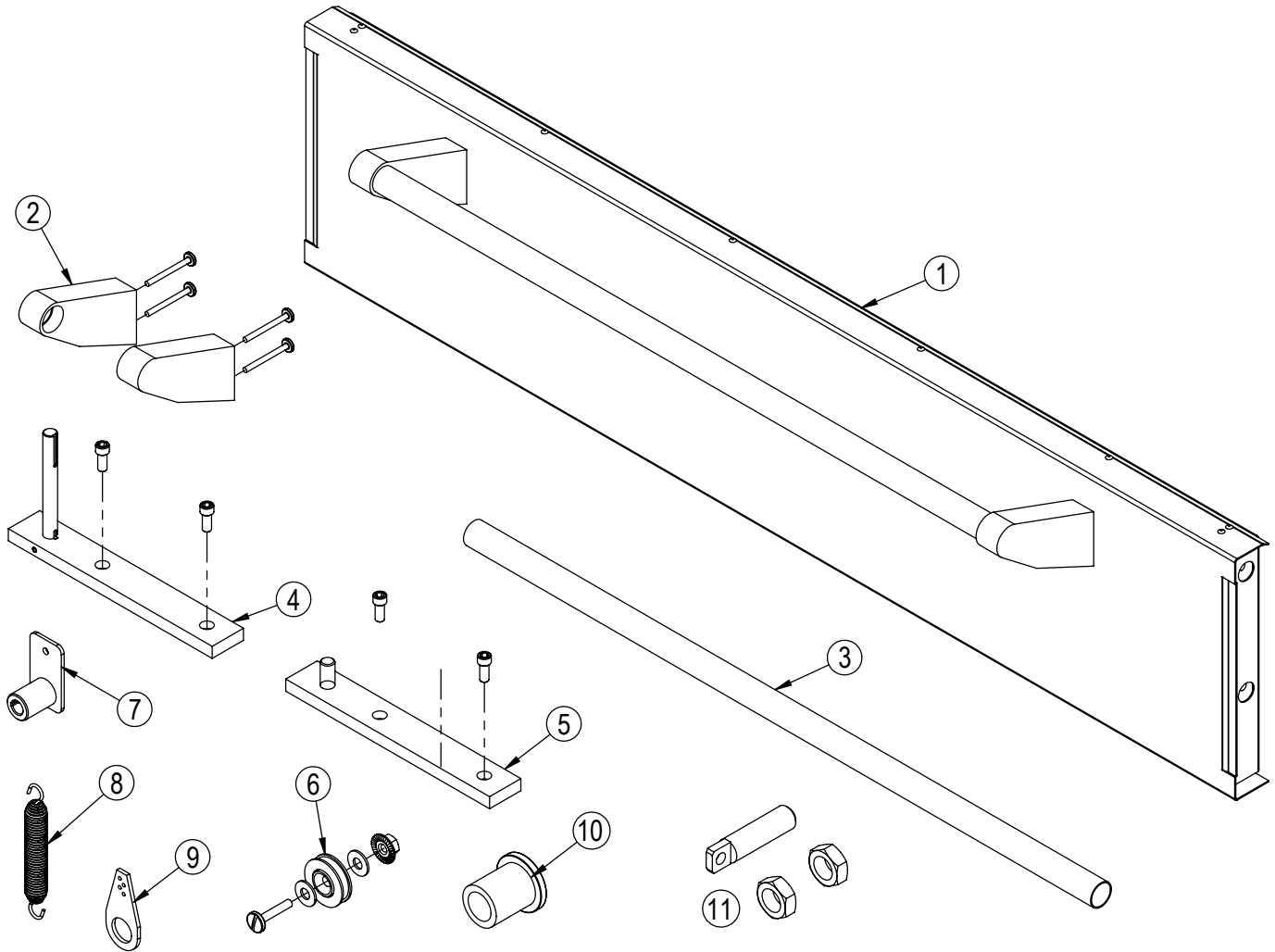


REF. NO.	PART NO.	DESCRIPTION
1	70390	DECK STONE 21 X 36 X 1
2	71519	BRICK PLATE
3	70442	ELEMENT, 208VAC
3	70443	ELEMENT, 240VAC

REF. NO.	PART NO.	DESCRIPTION
4	71556	ELEMENT HOLDDOWN CLIP
5	71524	ELEMENT CHANNEL
6	71542	THERMOSTAT BULB GUARD

DOOR PARTS

EDO 42 OVEN

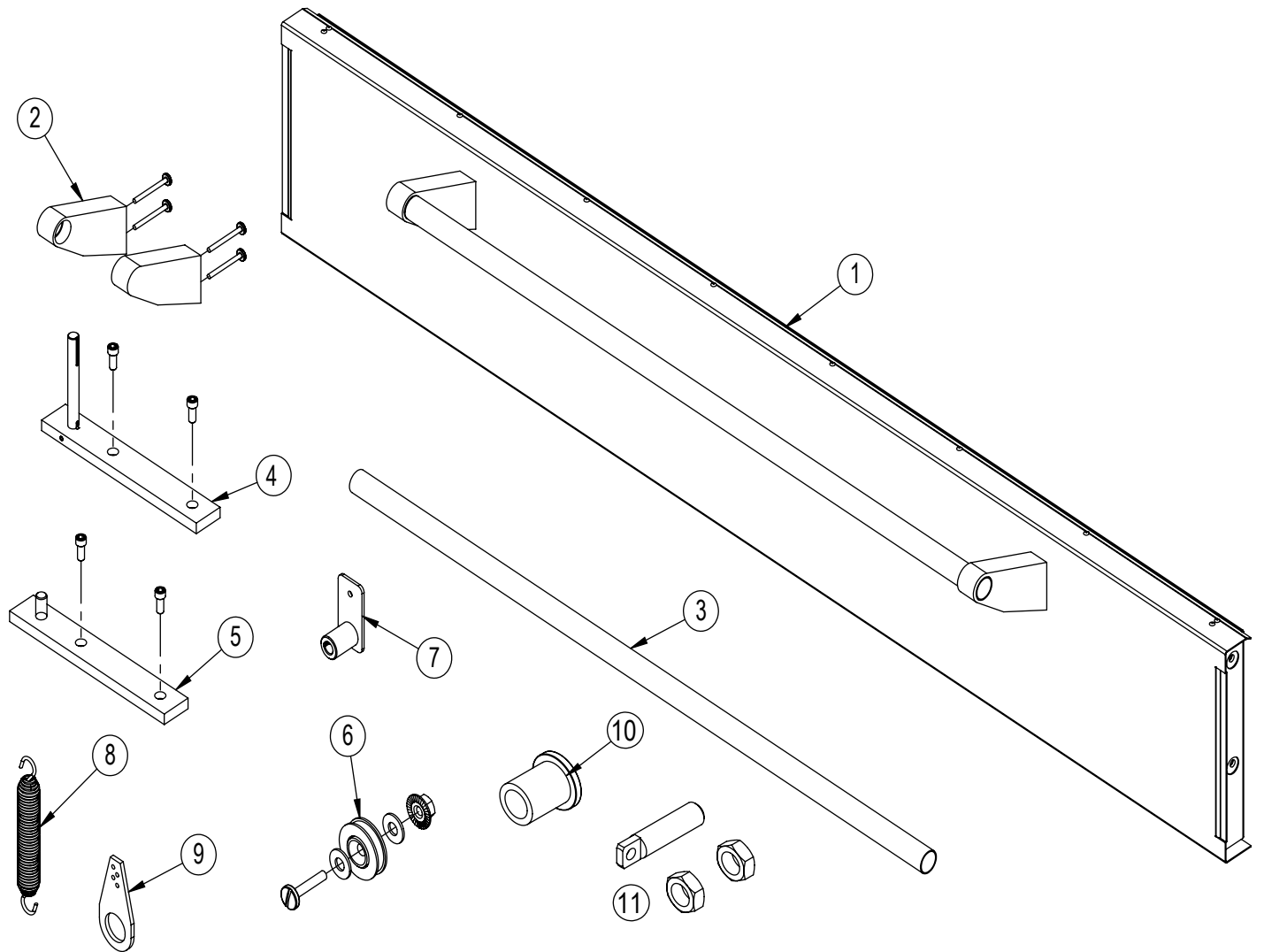


REF. NO.	PART NO.	DESCRIPTION
1	71928	BAKING DOOR SVC KIT, EDO42
2	71892	SD DOOR HANDLE BRACKET KIT
3	70429	30" DOOR HANDLE, S/S
4	71986	OVEN DOOR HINGE KIT, LH
5	71890	10" OVEN DOOR HINGE KIT, RH
6	71910	SPRING WHEEL KIT

REF. NO.	PART NO.	DESCRIPTION
7	71569	COUPLING ASSY
8	70416	SPRING
9	71561	TEAR DROP, 4-3/16"
10	70154	BUSHING, DOOR PIN
11	72286	SPRING ANCHOR KIT

DOOR PARTS

EDO 57 OVEN

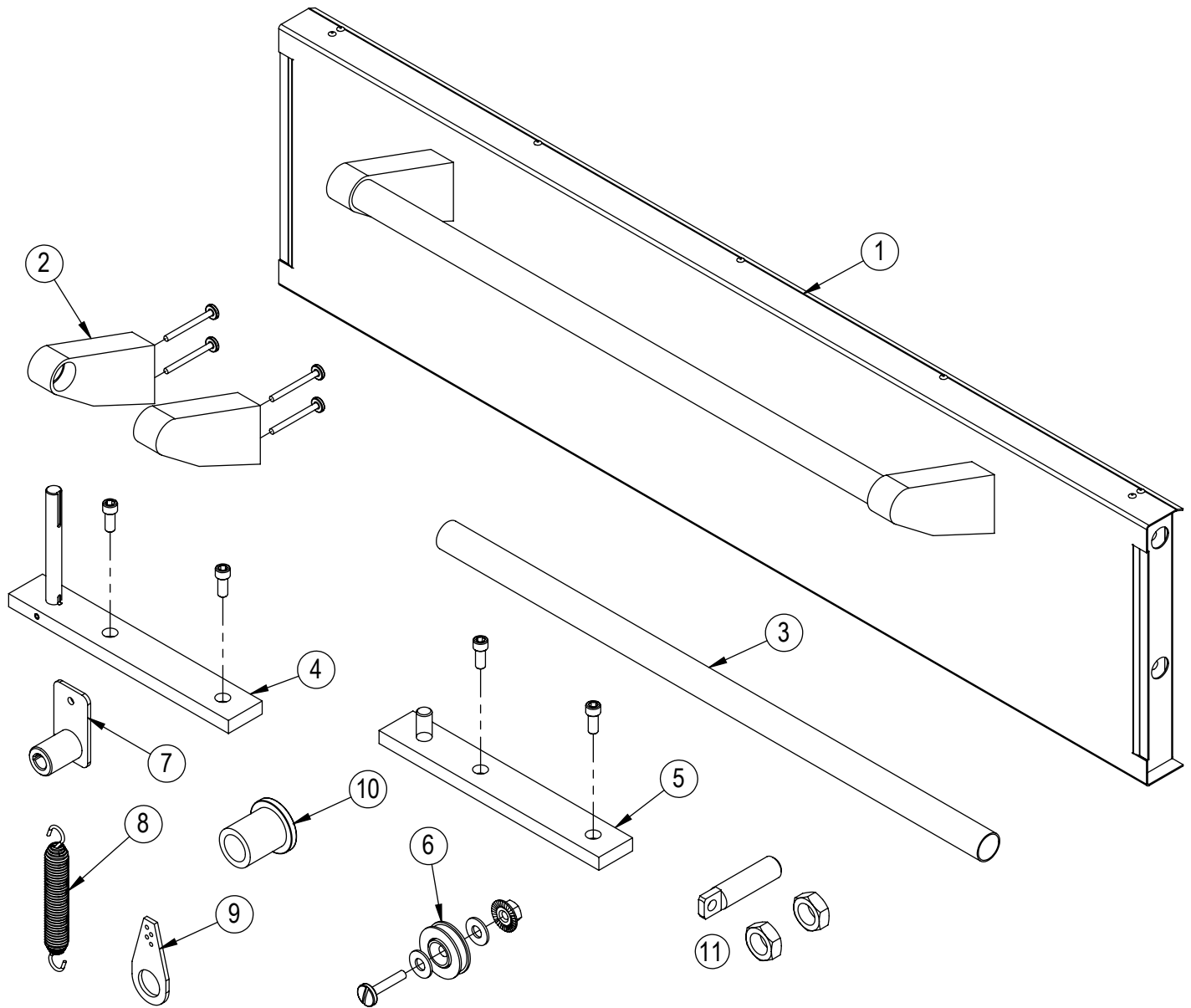


REF. NO.	PART NO.	DESCRIPTION
1	71912	BAKING DOOR SVC KIT, SD660
2	71892	SD DOOR HANDLE BRACKET KIT
3	70430	36" DOOR HANDLE, S/S
4	71986	OVEN DOOR HINGE KIT, LH
5	71890	10" OVEN DOOR HINGE KIT, RH
6	71910	SPRING WHEEL KIT

REF. NO.	PART NO.	DESCRIPTION
7	71624	COUPLING ASSY
8	70416	SPRING
9	71561	TEAR DROP, 4-3/16"
10	70154	BUSHING, DOOR PIN
11	72286	SPRING ANCHOR KIT

DOOR PARTS

EDO 2136 OVEN

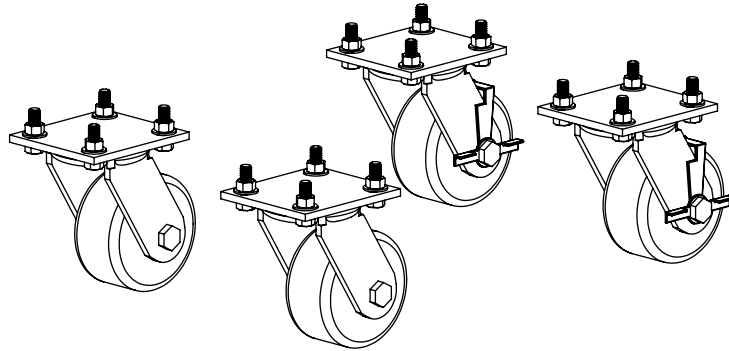


REF. NO.	PART NO.	DESCRIPTION
1	71927	BAKING DOOR SVC KIT, EDO2136
2	71892	SD DOOR HANDLE BRACKET KIT
3	70431	24" DOOR HANDLE, S/S
4	71986	OVEN DOOR HINGE KIT, LH
5	71890	10" OVEN DOOR HINGE KIT, RH
6	71910	SPRING WHEEL KIT

REF. NO.	PART NO.	DESCRIPTION
7	71569	COUPLING ASSY
8	70416	SPRING
9	71561	TEAR DROP, 4-3/16"
10	70154	BUSHING, DOOR PIN
11	72286	SPRING ANCHOR KIT

ACCESSORIES

ALL OVENS



REF. NO.	PART NO.	DESCRIPTION
1	72546	CASTERS, SET OF 4