

EDO **ELECTRIC**

SAME MARSAL BAKE THROUGH ELECTRIC POWER.



exclusively designed elements deliver
a quick, even bake throughout.

infinite controls allow precise
top and bottom temperatures.

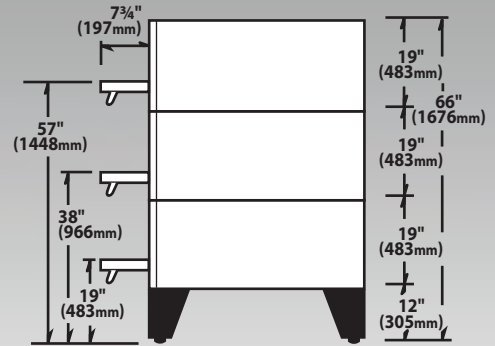
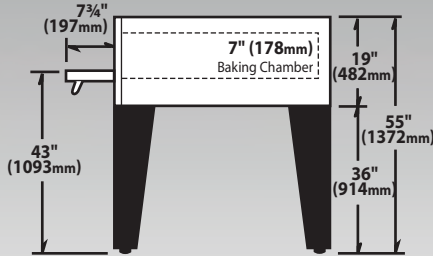
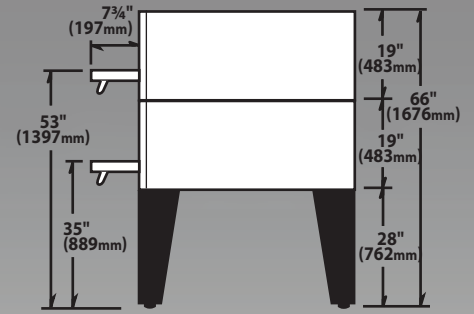
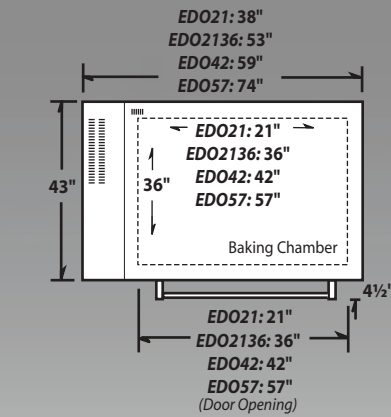
one-inch thick stone hearth
produces crispier bake.



specifications

Marsal's EDO Electric Deck Oven Series is the ideal solution for getting the great bake and quality taste of a deck oven while using the efficiency of electric power. Available in three sizes and stackable to three decks, the EDO series offers the best features to be found in an electric deck oven.

- 300 - 700 degree thermostat
- Infinite Top & Bottom heat controls
- Moisture outlet
- 7" deck height (178mm) with 1" hearth stone decks
- Stainless steel front and sides exterior
- Aluminized steel interiors
- Fully insulated
- 1 year labor and 18 month parts warranty



		Single	Double	Triple
Height	All	55"	66"	69"
Depth x Length	EDO2136	28" x 53"	28" x 53"	28" x 53"
	EDO42	43" x 59"	43" x 59"	43" x 59"
	EDO57	43" x 74"	43" x 74"	43" x 74"
Cooking Surface	EDO2136	21" x 36"	21" x 36" x 2	21" x 36" x 3
	EDO42	36" x 42"	36" x 42" x 2	36" x 42" x 3
	EDO57	36" x 57"	36" x 57" x 2	36" x 57" x 3
# of Decks	All	1	2	3
Shipping Weight	EDO2136	380 lbs.	710 lbs.	1,020 lbs.
	EDO42	700 lbs.	1,390 lbs.	2,010 lbs.
	EDO57	870 lbs.	1,650 lbs.	2,430 lbs.

Power Supply

EDO	WATTS	4,000	
		208	220-240
2136	VOLTS		
		1	1
	PHASE		
		20	17
	AMPS		

EDO42	WATTS	8,000			
		208	220-240	208	220-240
	VOLTS				
		3	3	1	1
	PHASE				
		27	24	39	35
	AMPS				

EDO57	WATTS	12,000			
		208	220-240	208	220-240
	VOLTS				
		3	3	1	1
	PHASE				
		33	30	58	52
	AMPS				



175 E. Hoffman Ave.
Lindenhurst, NY 11757

www.marsalsons.com

(631) 226-6688
F. (631) 226-6890



Made in the USA

