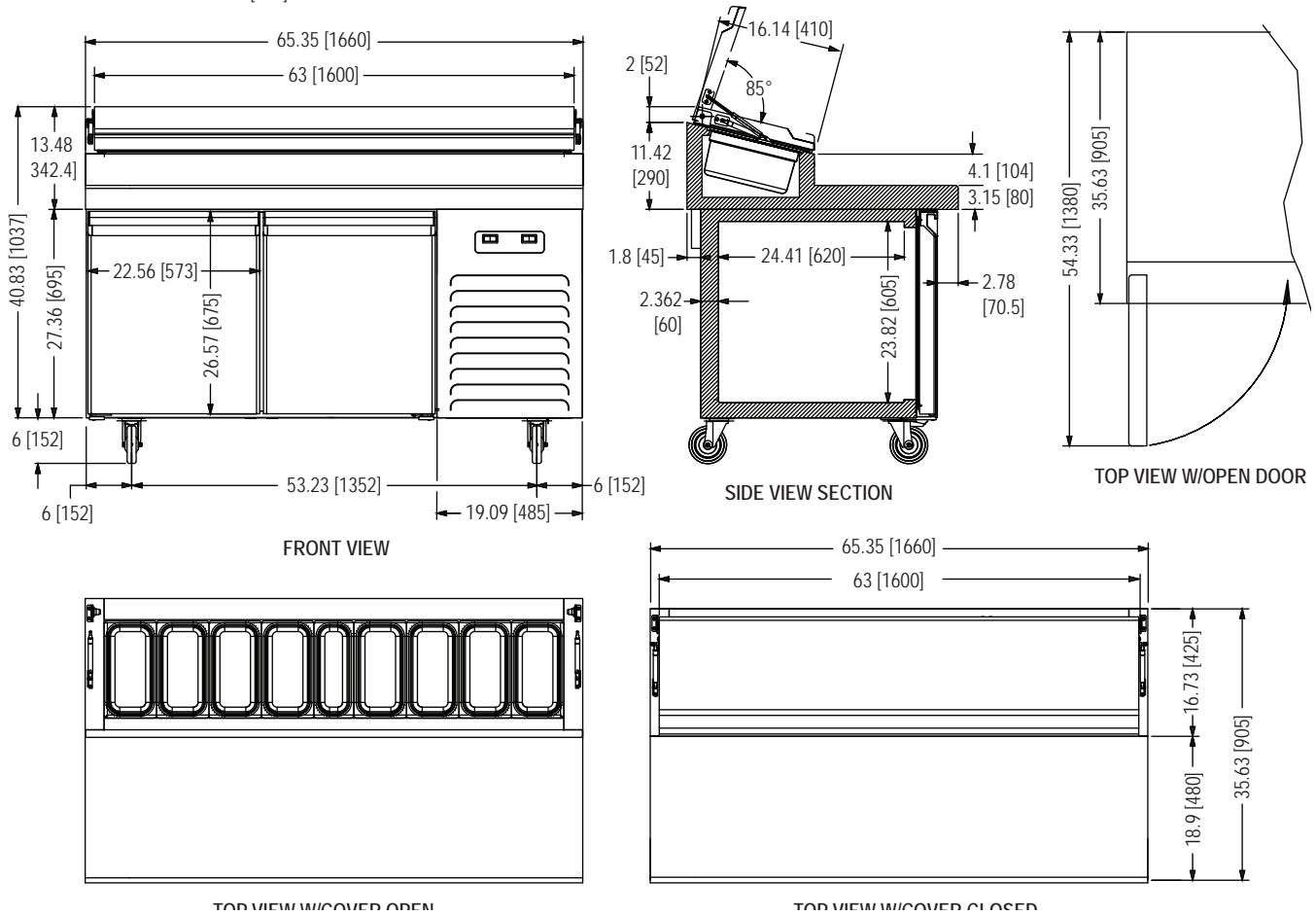


Electrical refrigerated prep table with stainless steel rail and work top

DIMENSIONS ARE IN INCHES [MM]



Specifications

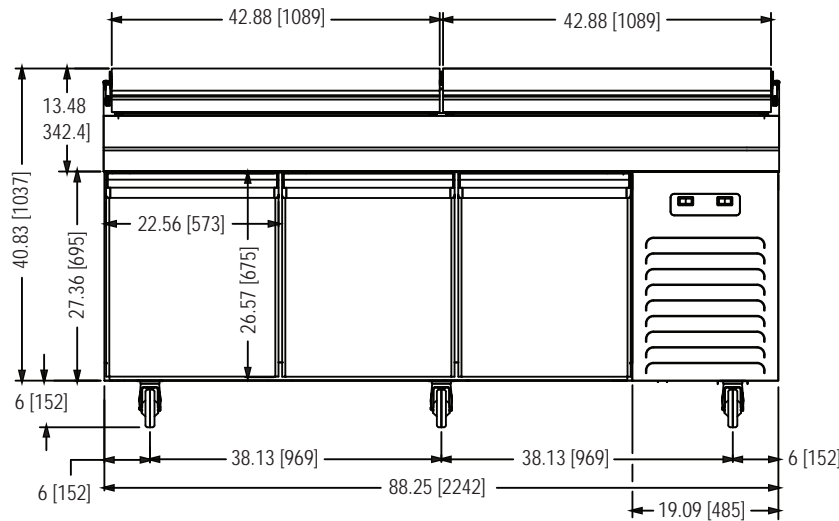
Dimensions	65.35" W x 35.63" D x 46.83" H (1660 x 905 x 1189 mm)
Capacity	14 cubic feet
Rack capacity*	Eight 18" x 26" racks
Electrical	115/60Hz/1Ph
Refrigerant type	Environmentally friendly (CFC free) R404A
Warranty	1 year parts and labor, 4 additional year compressor (parts only)
Shipping weight	330 lbs (150 kg)

* Ships with 2 racks, additional racks available as an accessory

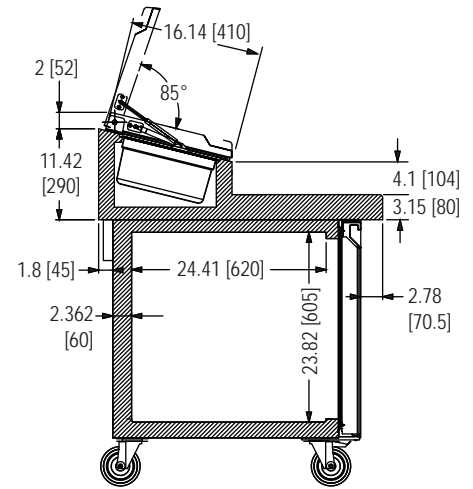


Electrical refrigerated prep table with stainless steel rail and work top

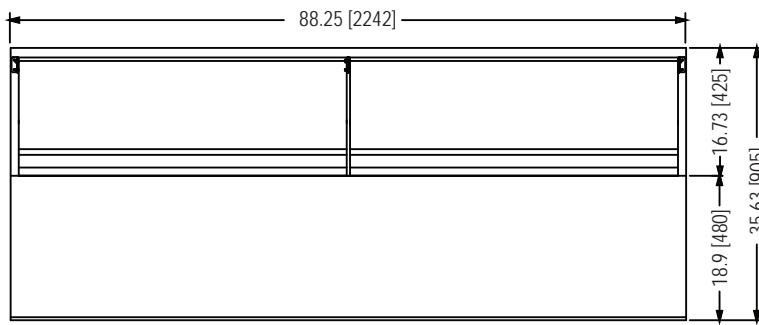
DIMENSIONS ARE IN INCHES [MM]



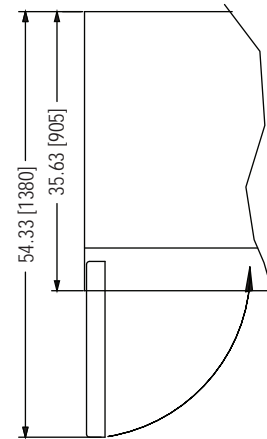
FRONT VIEW



SIDE VIEW SECTION



TOP VIEW



TOP VIEW W/OPEN DOOR

Specifications

Dimensions	88.25" W x 35.63" D x 46.83" H (2242x 905 x 1189 mm)
Capacity	22 cubic feet
Rack capacity*	Twelve 18" x 26" racks
Electrical	115/60Hz/1Ph
Refrigerant type	Environmentally friendly (CFC free) R404A
Warranty	1 year parts and labor, 4 additional year compressor (parts only)
Shipping weight	462 lbs (210 kg)

* Ships with 3 racks, additional racks available as an accessory

