



**MB 236 AND MB 260  
MB SLICE SERIES PIZZA OVENS  
REPLACEMENT PARTS LIST**

**EFFECTIVE JULY 22, 2016**

Superseding All Previous Parts Lists.

The Company reserves the right to make substitution in the event that items specified are not available.

ERRORS: Descriptive and/or typographic errors are subject to correction.

---

**MARSAL**

175 East Hoffman Avenue, Lindenhurst, NY 11757 USA Telephone: (631) 226-6688 Fax: (631) 226-6890  
[www.marsalsons.com](http://www.marsalsons.com)

*P/N 72129 Rev B*

# TABLE OF CONTENTS

## **BURNER COMPARTMENT COMPONENTS**

MB 236 OVEN.....	3
MB 260 OVEN.....	4

## **BAKING COMPARTMENT COMPONENTS**

MB 236 .....	5
MB 260 .....	6

## **BURNER AND PIPING PARTS**

MB 236 .....	7
MB 260 .....	8
PILOT SAFETY VALVE UPGRADE KIT FOR OVENS BUILT BEFORE 10/2008 .....	9
GAS CONVERSION KITS .....	9

## **DOOR PARTS**

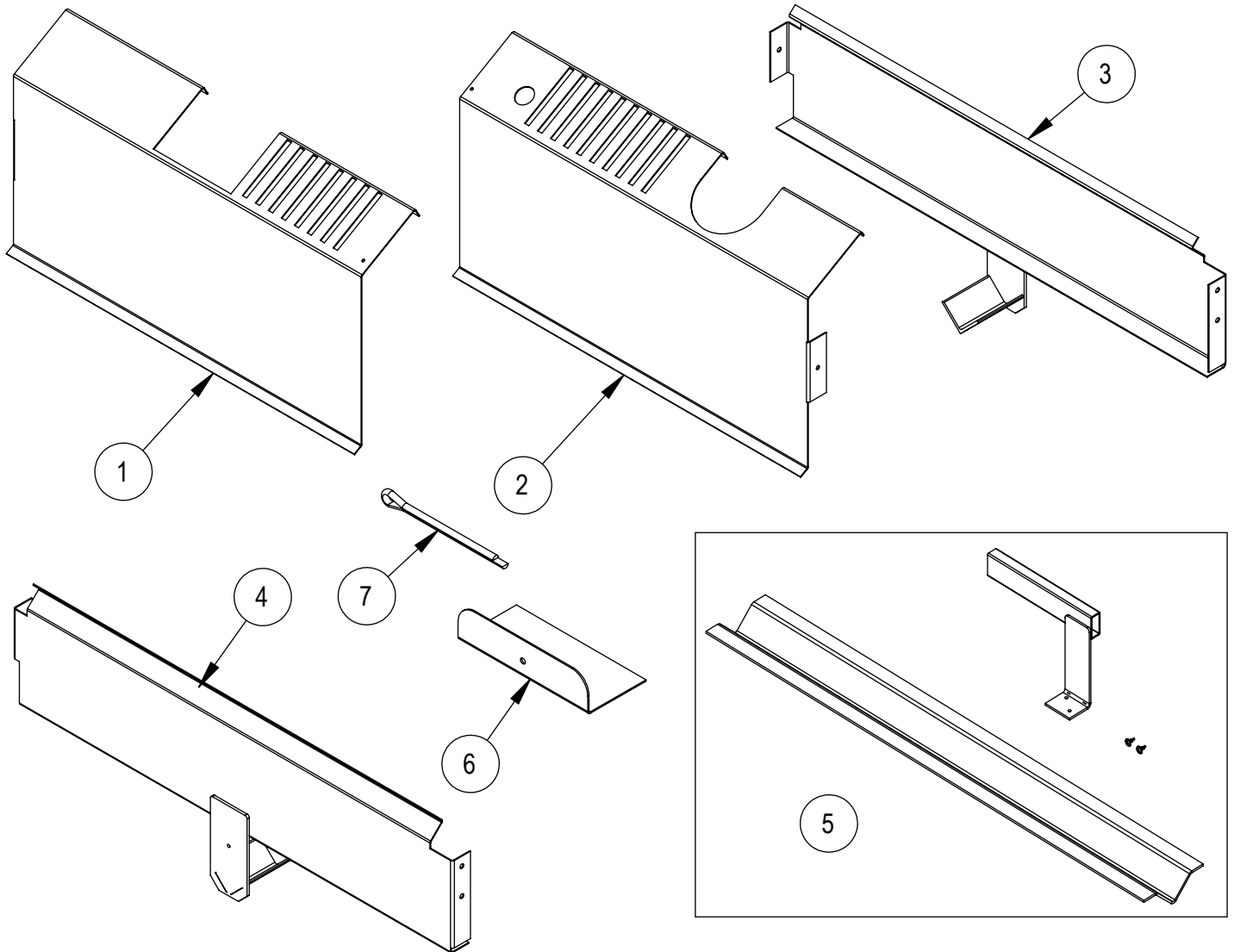
MB 236 .....	10
MB 260 .....	11

## **CONTROL DOOR AND FLUES**

ALL OVEN MODELS.....	
----------------------	--

# BURNER COMPARTMENT COMPONENTS

## MB 236 OVEN

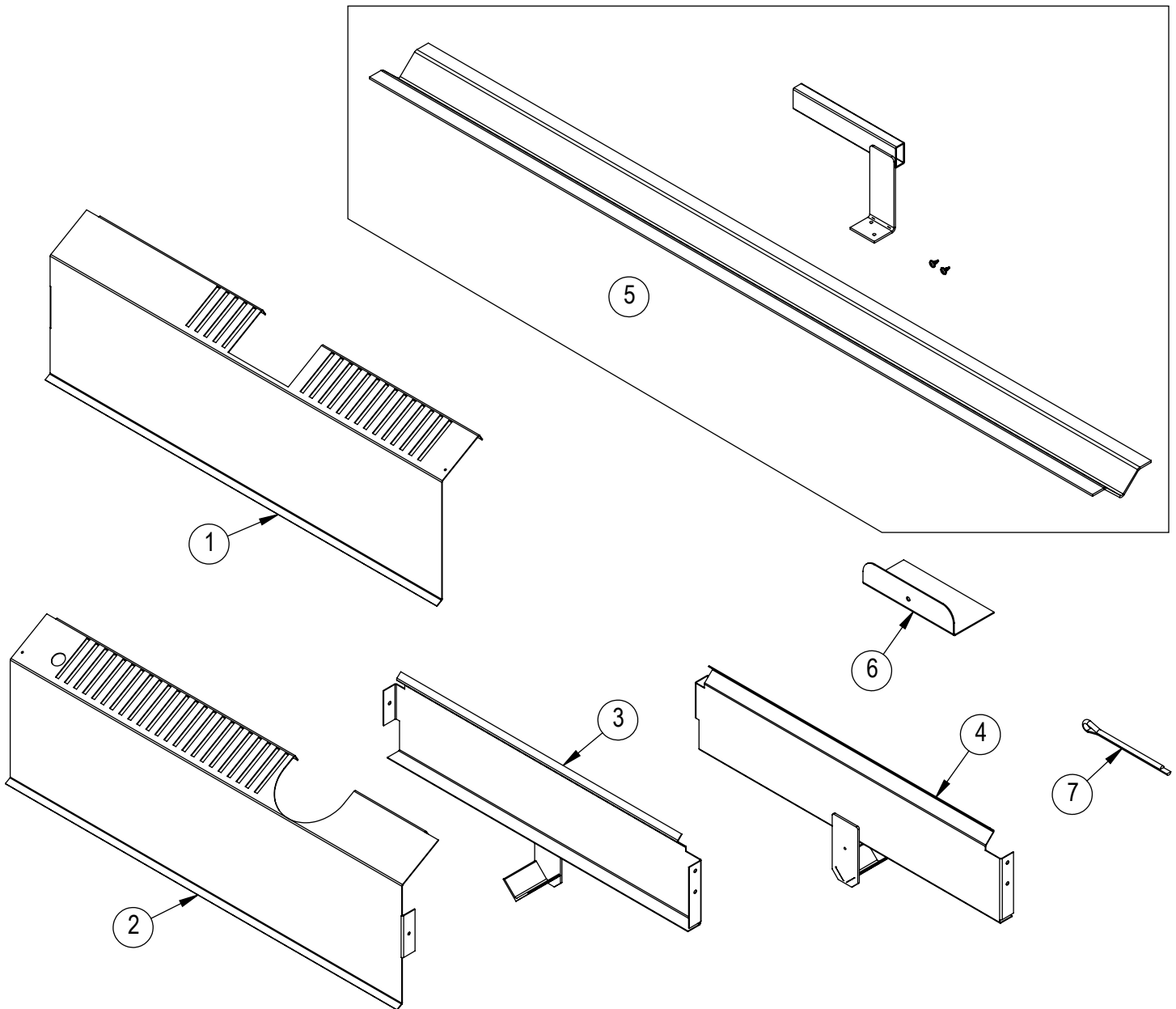


REF. NO.	PART NO.	DESCRIPTION
1	70749	HEAT SHIELD, LH
2	70748	HEAT SHIELD, RH
3	70684	BAFFLE ASSY, LH
4	70685	BAFFLE ASSY, RH

REF. NO.	PART NO.	DESCRIPTION
5	71894	DEFLECTOR KIT
6	70057	FD HOLD DOWN
7	70084	COTTER PIN, 7/64 X 1.75

# BURNER COMPARTMENT COMPONENTS

## MB 260 OVEN

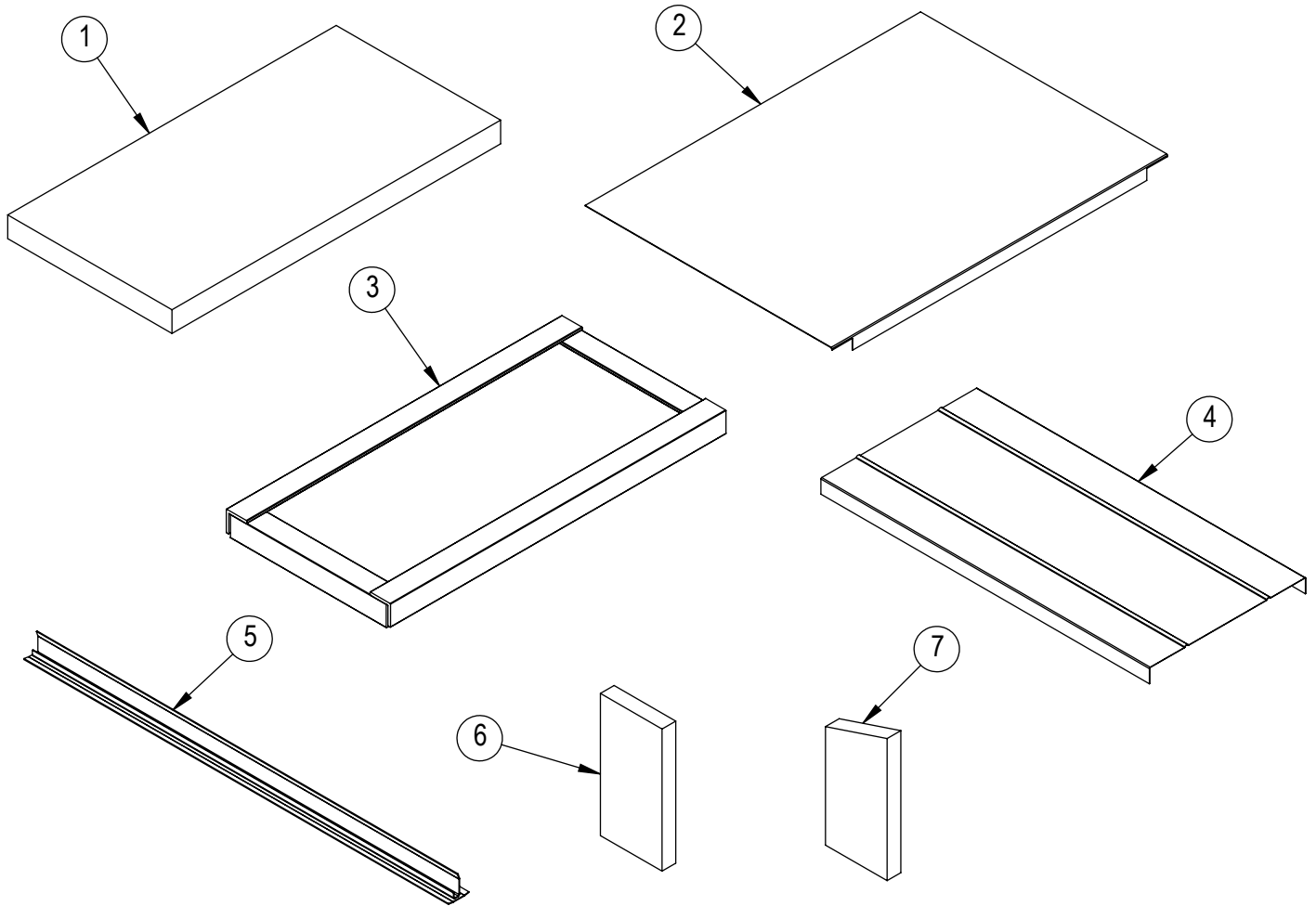


REF. NO.	PART NO.	DESCRIPTION
1	70054	HEAT SHIELD, LH
2	70053	HEAT SHIELD, RH
3	70684	BAFFLE ASSY, LH
4	70685	BAFFLE ASSY, RH

REF. NO.	PART NO.	DESCRIPTION
5	71897	DEFLECTOR KIT
6	70057	FD HOLD DOWN
7	70084	COTTER PIN, 7/64 X 1.75

# BAKING COMPARTMENT COMPONENTS

MB 236

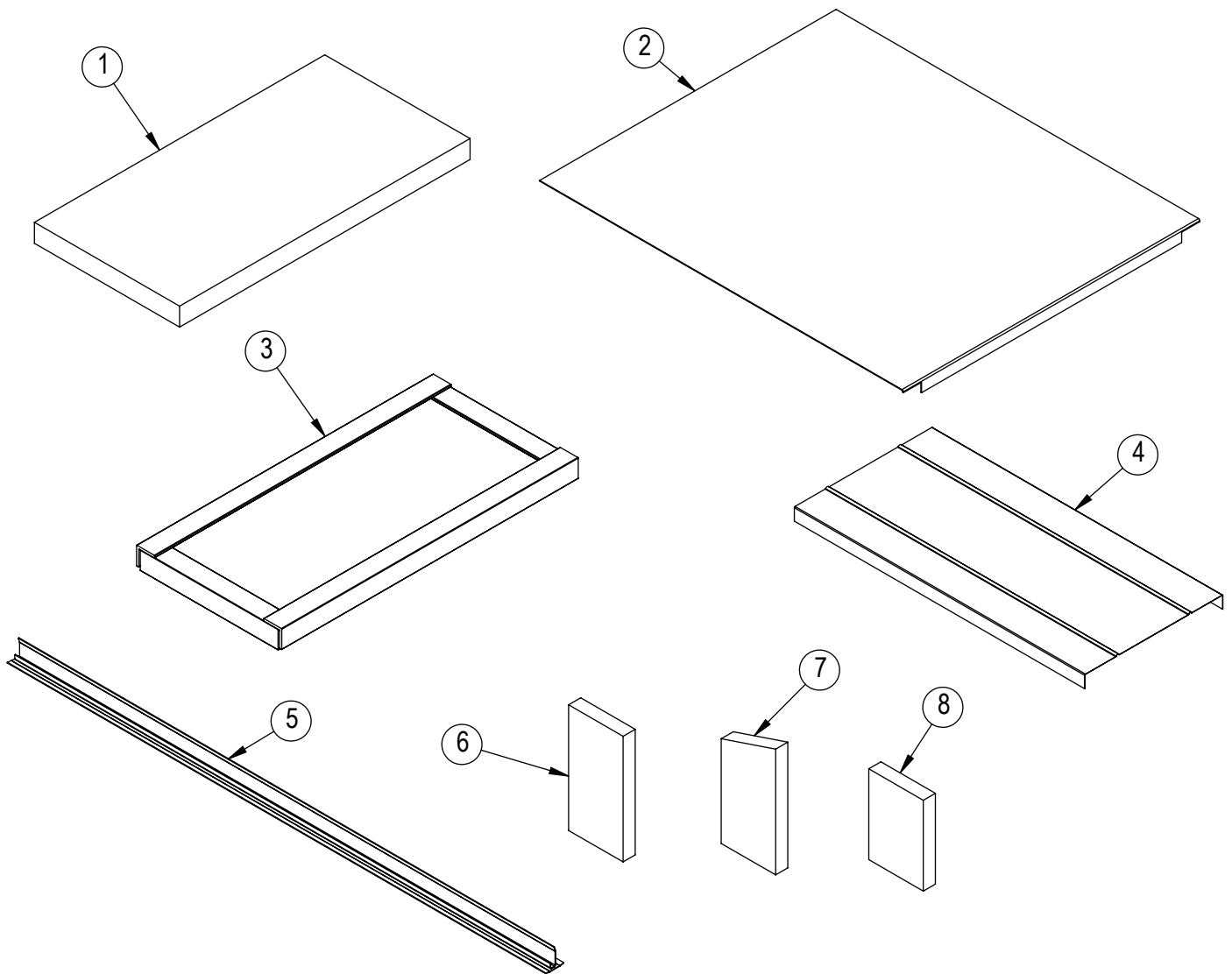


REF. NO.	PART NO.	DESCRIPTION
1	70388	DECK STONE 12 X 24 X 1-1/2
2	70750	BRICK PLATE
3	70689	BRICK BASE, 24-1/2 X 12-1/2
4	70694	BRICK BAFFLE

REF. NO.	PART NO.	DESCRIPTION
5	70473	CRUMB CATCHER, 31" LG
6	70391	CEILING/BACK BRICK, 1 X 4-1/2 X 9
7	70229	ANGLE BACK BRICK, 1-1/2 X 6 X 10-1/2

# BAKING COMPARTMENT COMPONENTS

MB 260

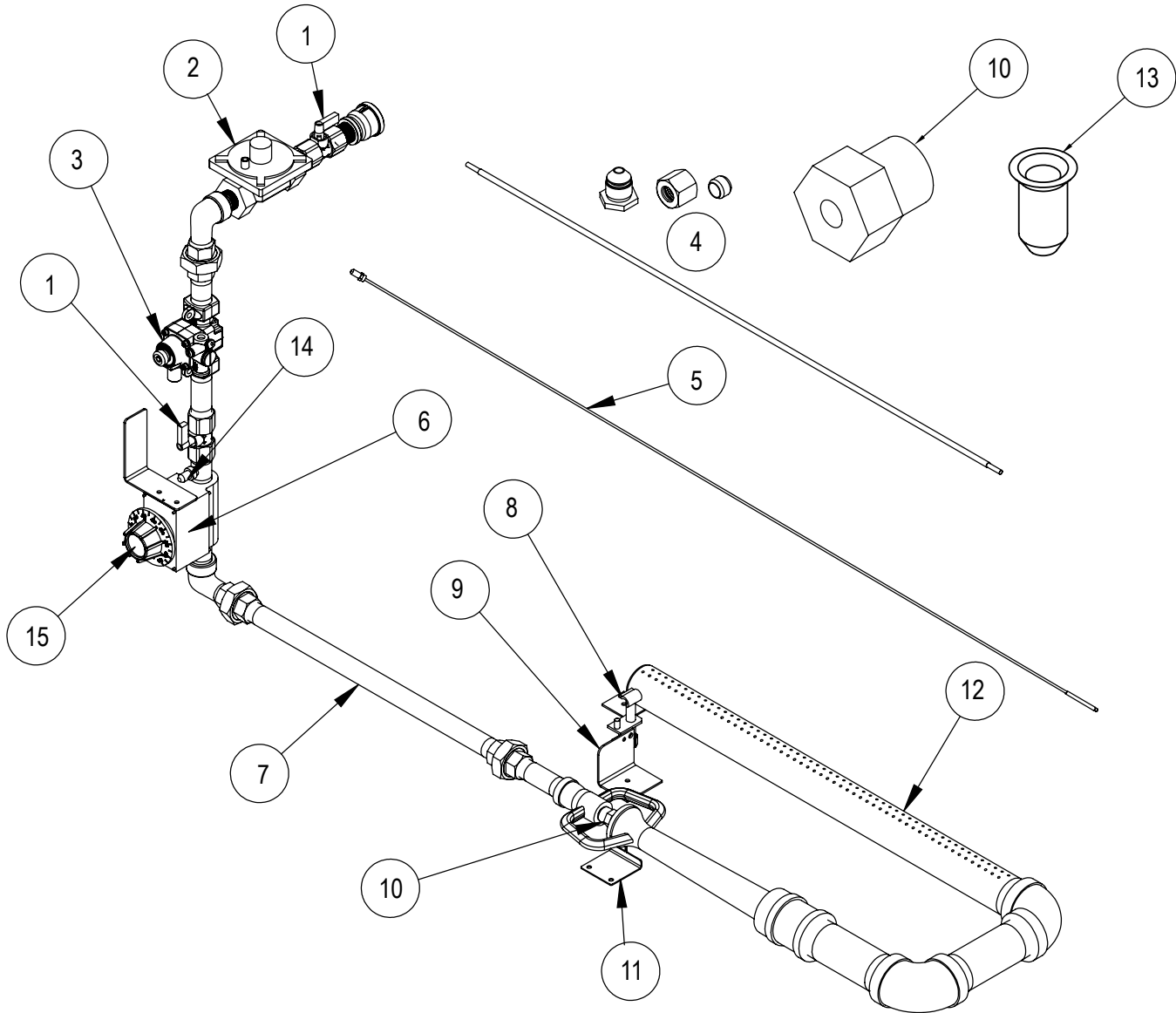


REF. NO.	PART NO.	DESCRIPTION
1	70388	DECK STONE 12 X 24 X 1-1/2
2	70696	BRICK PLATE
3	70689	BRICK BASE, 24-1/2 X 12-1/2
4	70694	BRICK BAFFLE

REF. NO.	PART NO.	DESCRIPTION
5	70476	CRUMB CATCHER, 44-1/2" LG
6	70391	CEILING/BACK BRICK, 1 X 4-1/2 X 9
7	70229	ANGLE BACK BRICK, 1-1/2 X 6 X 10-1/2
8	70458	CEILING BRICK, 1 X 4-1/2 X 6-1/2

# BURNER AND PIPING PARTS

MB 236



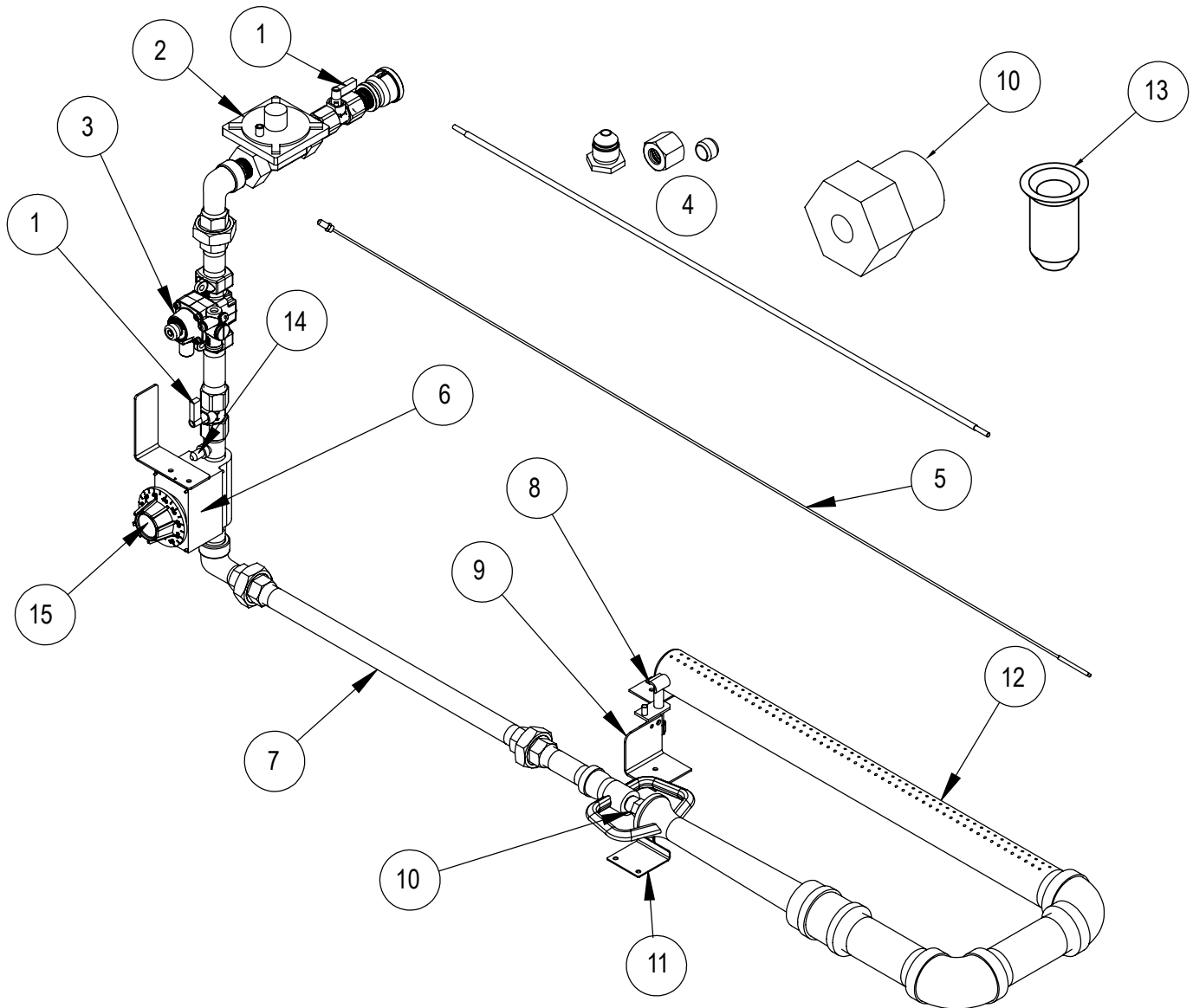
REF. NO.	PART NO.	DESCRIPTION
1	70380	BALL VALVE, 1/2" NPT
2	71881	GAS REGULATOR, NAT
2	71882	GAS REGULATOR, LP
3	55127	TS11 SAFETY VALVE, 1/4" TUBE FIT
4	72290	PILOT TUBE KIT, 42"
5	52091	THERMOCOUPLE, 48" LEAD
6	71880	THERMOSTAT, 300-650 W/KNOB
7	70042	1/2" NPT X 33-1/4" PIPE
8	55132	PILOT ASSY, NAT*
9	70100	PILOT BRACKET

REF. NO.	PART NO.	DESCRIPTION
10	70382	ORIFICE, #33 (NAT)
10	70471	ORIFICE, #54 (LP)
11	70049	VENTURI STOPPER
12	70759	BURNER ASSY
13	70481	PILOT ORIFICE, NAT
13	70482	PILOT ORIFICE, LP
14	70434	PRESSURE TAP, 1/8
15	70044	KNOB, THERMOSTAT

\* ORDER WITH 70482 "LP PILOT ORIFICE CUP" FOR LP OVENS

# BURNER AND PIPING PARTS

MB 260



REF. NO.	PART NO.	DESCRIPTION
1	70380	BALL VALVE, 1/2"NPT
2	71881	GAS REGULATOR, NAT
2	71882	GAS REGULATOR, LP
3	55127	TS11 SAFETY VALVE, 1/4" TUBE FIT
4	72290	PILOT TUBE KIT, 42"
5	52091	THERMOCOUPLE, 48" LEAD
6	71880	THERMOSTAT, 300-650 W/KNOB
7	70042	1/2" NPT X 33-1/4" PIPE
8	55132	PILOT ASSY, NAT*
9	70100	PILOT BRACKET
10	70469	ORIFICE, #25 (NAT)

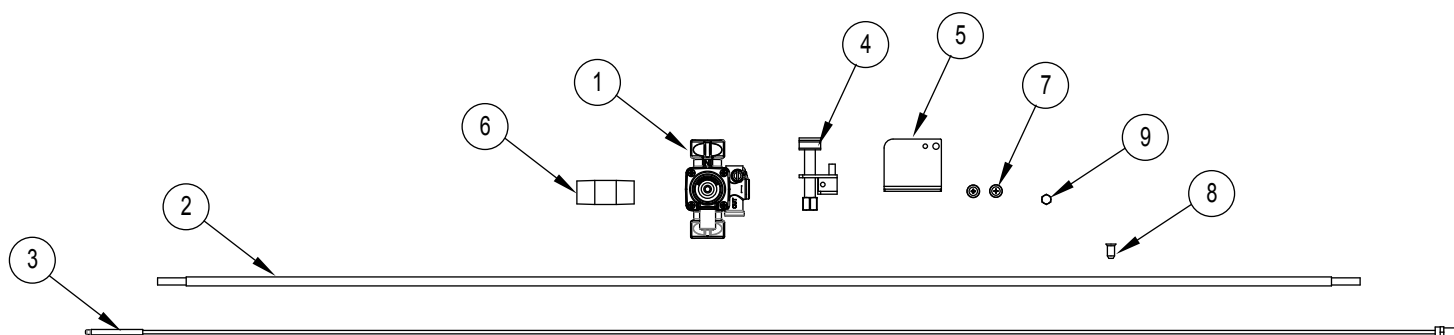
REF. NO.	PART NO.	DESCRIPTION
10	70470	ORIFICE, #40 (LP)
11	70049	VENTURI STOPPER
12	70702	BURNER ASSY
13	70481	PILOT ORIFICE, NAT
13	70482	PILOT ORIFICE, LP
14	70434	PRESSURE TAP, 1/8
15	70044	KNOB, THERMOSTAT

\* ORDER WITH 70482 "LP PILOT ORIFICE CUP" FOR LP OVENS



# BURNER AND PIPING PARTS

## PILOT UPGRADE SAFETY VALVE KIT FOR OVENS BUILT BEFORE 10/8/2008

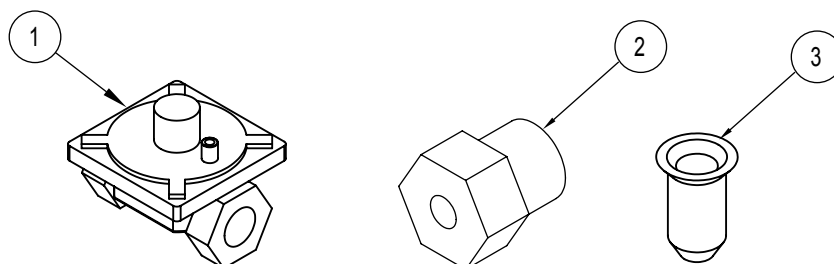


REF. NO.	PART NO.	DESCRIPTION
	<b>70376</b>	<b>Pilot Upgrade Safety Valve Kit Includes the following Parts</b>
1	55127	TS11 Safety Valve
2	70046	Pilot Tubing, 42"
3	52091	Thermocouple, 48" Lead
4	55132	Pilot Assy, NAT*
5	70100	Pilot Bracket

REF. NO.	PART NO.	DESCRIPTION
6	70233	Nipple, 1/2" x 2" black
7	70272	Screw, 8-18 x 1/2 Drill Point (qty. 2)
8	70482	.010 Pilot Orifice Cup, LP
9	71852	Screw, 10-32 x 1/4 Hex Head

\*REPLACE INCLUDED ORIFICE WITH 70482 FOR LP OVENS.

## GAS CONVERSION KITS



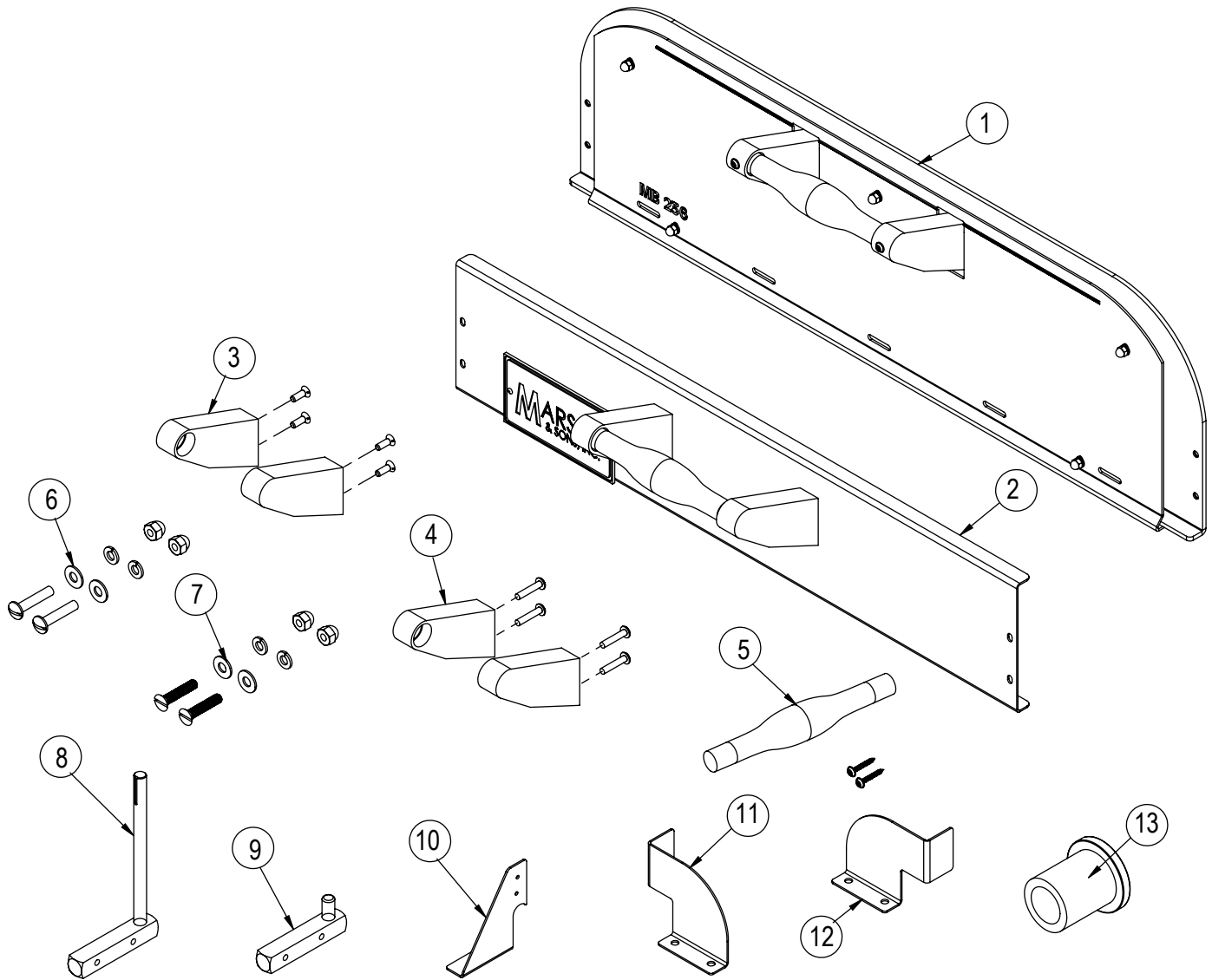
REF. NO.	PART NO.	DESCRIPTION
	71987	Natural to LP Gas Conversion Kit
1	70386	Gas Regulator, LP
2	See Chart	Burner Orifice
3	70482	Pilot Orifice, LP

MB BURNER ORIFICES		
MODEL	NATURAL	PROPANE
MB236	70382	70471
MB42	70381	70492
MB60	70383	70491
MB866	70383	70491

REF. NO.	PART NO.	DESCRIPTION
	71988	LP to Natural Gas Conversion Kit
1	70385	Gas Regulator, NAT
2	See Chart	Burner Orifice
3	70482	Pilot Orifice, NAT

# DOOR PARTS

MB 236

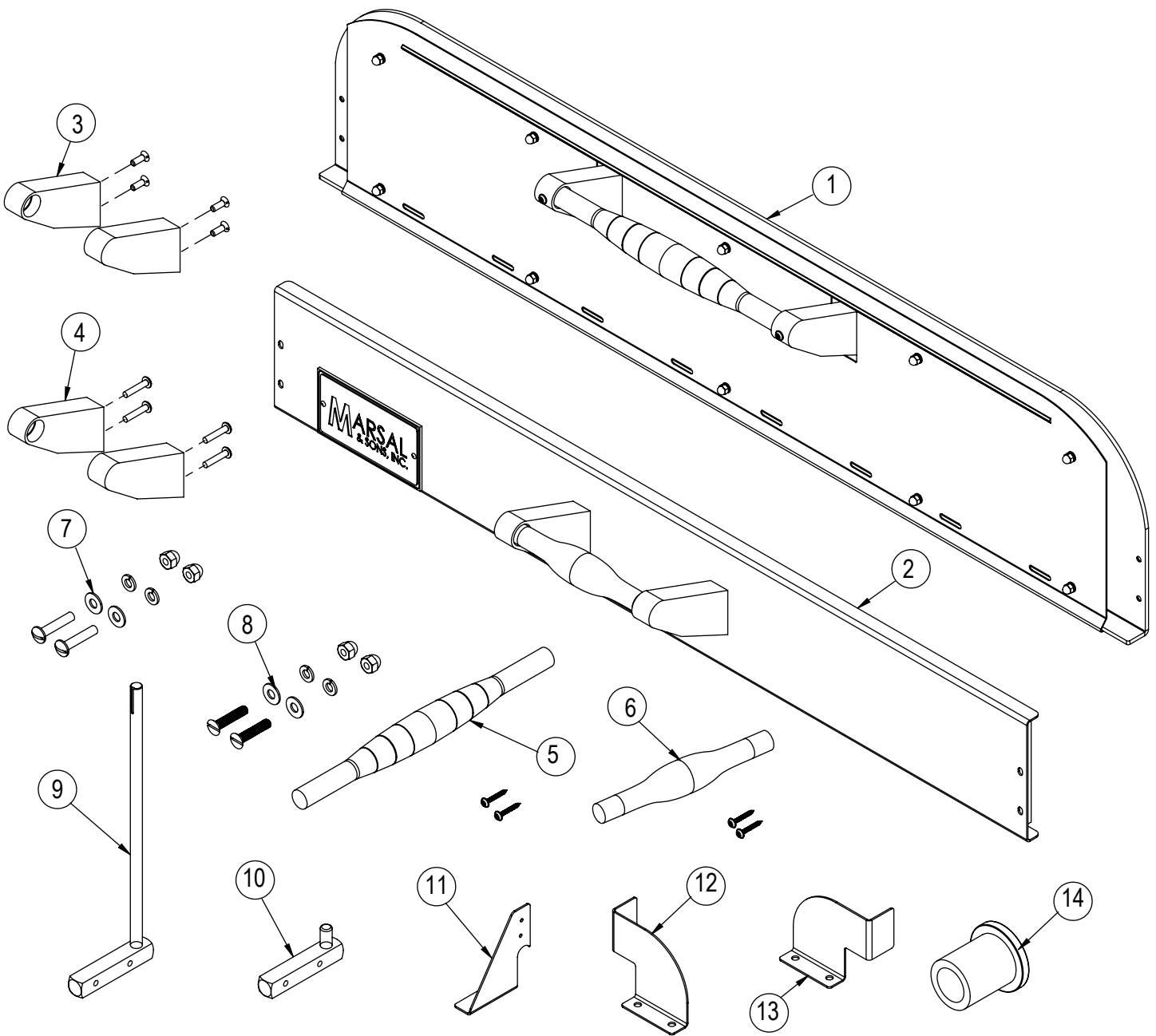


REF. NO.	PART NO.	DESCRIPTION
1	71923	BAKING DOOR SVC KIT, MB236
2	71979	BURNER DOOR SVC KIT, MB236
3	71911	MB DOOR HANDLE BRACKET KIT
4	71985	BURNER DOOR HANDLE BRACKET KIT
5	71884	DOOR HANDLE KIT
6	71930	BURNER DOOR HINGE HARDWARE KIT
7	71885	MB DOOR HINGE HARDWARE KIT

REF. NO.	PART NO.	DESCRIPTION
8	70453	BAKING DOOR HINGE ASSY, LH
9	70143	DOOR HINGE ASSY
10	70230	DOOR STOP
11	70671	BURNER DOOR STOP, RH
12	70107	BURNER DOOR STOP, LH
13	70154	BUSHING, DOOR PIN

# DOOR PARTS

MB 260

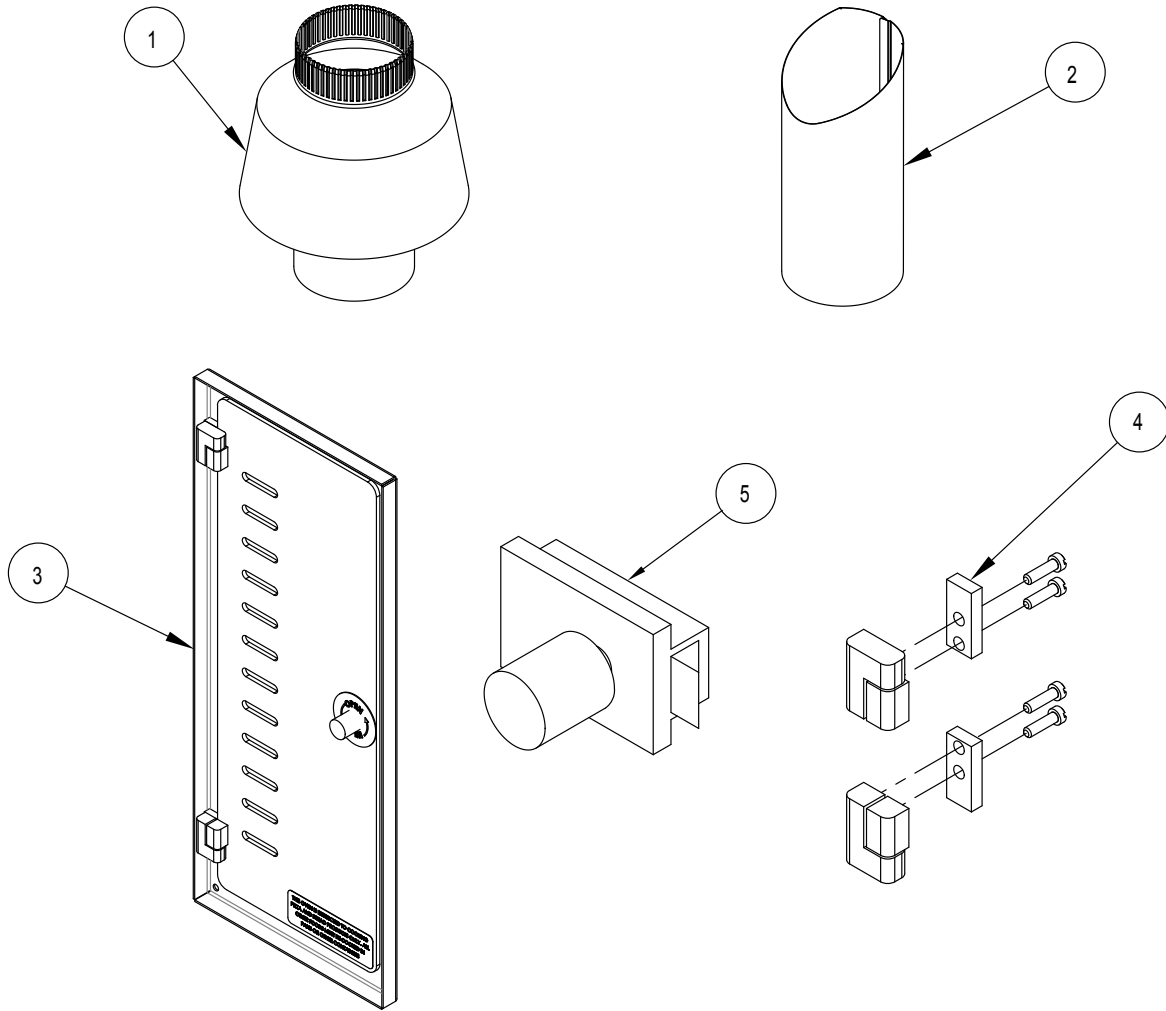


REF. NO.	PART NO.	DESCRIPTION
1	71924	BAKING DOOR SVC KIT, AB60
2	71976	BURNER DOOR SVC KIT, MB260
3	71911	MB DOOR HANDLE BRACKET KIT
4	71985	BURNER DOOR HANDLE BRACKET KIT
5	71883	BAKING DOOR HANDLE KIT
6	71884	DOOR HANDLE KIT
7	71930	BURNER DOOR HINGE HARDWARE KIT

REF. NO.	PART NO.	DESCRIPTION
8	71885	MB DOOR HINGE HARDWARE KIT
9	70145	BAKING DOOR HINGE ASSY, LH
10	70143	DOOR HINGE ASSY
11	70230	DOOR STOP
12	70671	BURNER DOOR STOP, RH
13	70107	BURNER DOOR STOP, LH
14	70154	BUSHING, DOOR PIN

# MB CONTROL DOOR AND FLUES

## ALL OVENS



REF. NO.	PART NO.	DESCRIPTION
1	70427	Draft Hood
2	70103	Chimney Top
3	70122	Control Door Assy
4	71905	Control Door Hinge Kit
5	70128	Latch, Control Panel