



**SD 236, SD 248 AND SD 260
SD SLICE SERIES PIZZA OVENS
REPLACEMENT PARTS LIST**

EFFECTIVE JULY 22, 2016

Superseding All Previous Parts Lists.

The Company reserves the right to make substitution in the event that items specified are not available.

ERRORS: Descriptive and/or typographic errors are subject to correction.

MARSAL

175 East Hoffman Avenue, Lindenhurst, NY 11757 USA Telephone: (631) 226-6688 Fax: (631) 226-6890
www.marsalsons.com

P/N 72143 Rev B

TABLE OF CONTENTS

BURNER COMPARTMENT COMPONENTS

SD 236 OVEN	3
SD 248 OVEN	4
SD 260 OVEN	5

BAKING COMPARTMENT COMPONENTS

SD 236 OVENS	6
SD 248 OVENS	7
SD 260 OVEN	8

BURNER AND PIPING PARTS

SD 236 OVEN	9
SD 248 OVEN	10
SD 260 OVEN	11
PILOT UPGRADE SAFETY VALVE KIT FOR OVENS BUILT BEFORE 10/2008	12
GAS CONVERSION KITS	12

DOOR PARTS

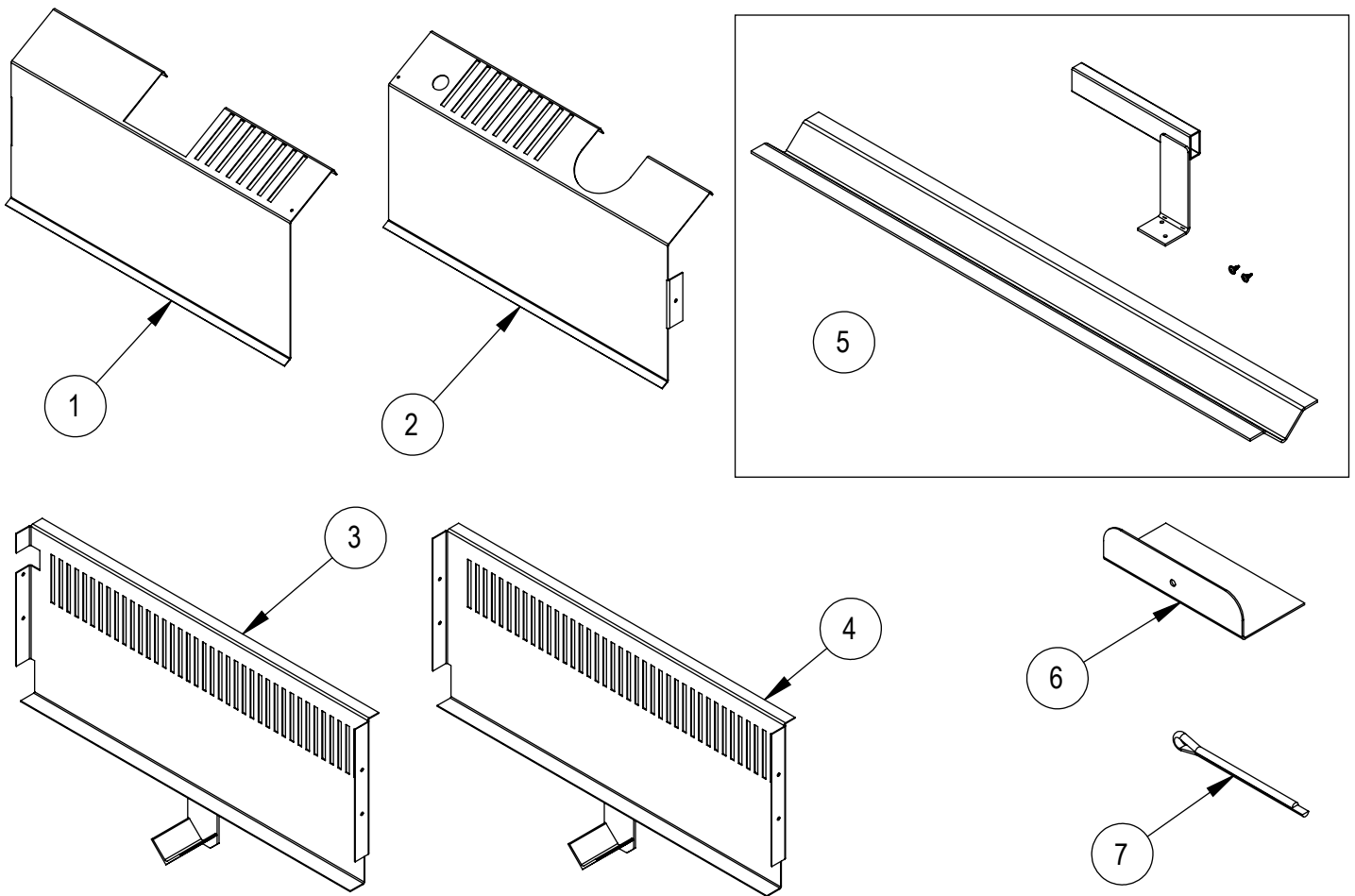
SD 236 OVEN	13
SD 248 OVEN	14
SD 260 OVEN	15

SD CONTROL DOOR AND FLUES

ALL OVENS	16
-----------------	----

BURNER COMPARTMENT COMPONENTS

SD 236 OVEN

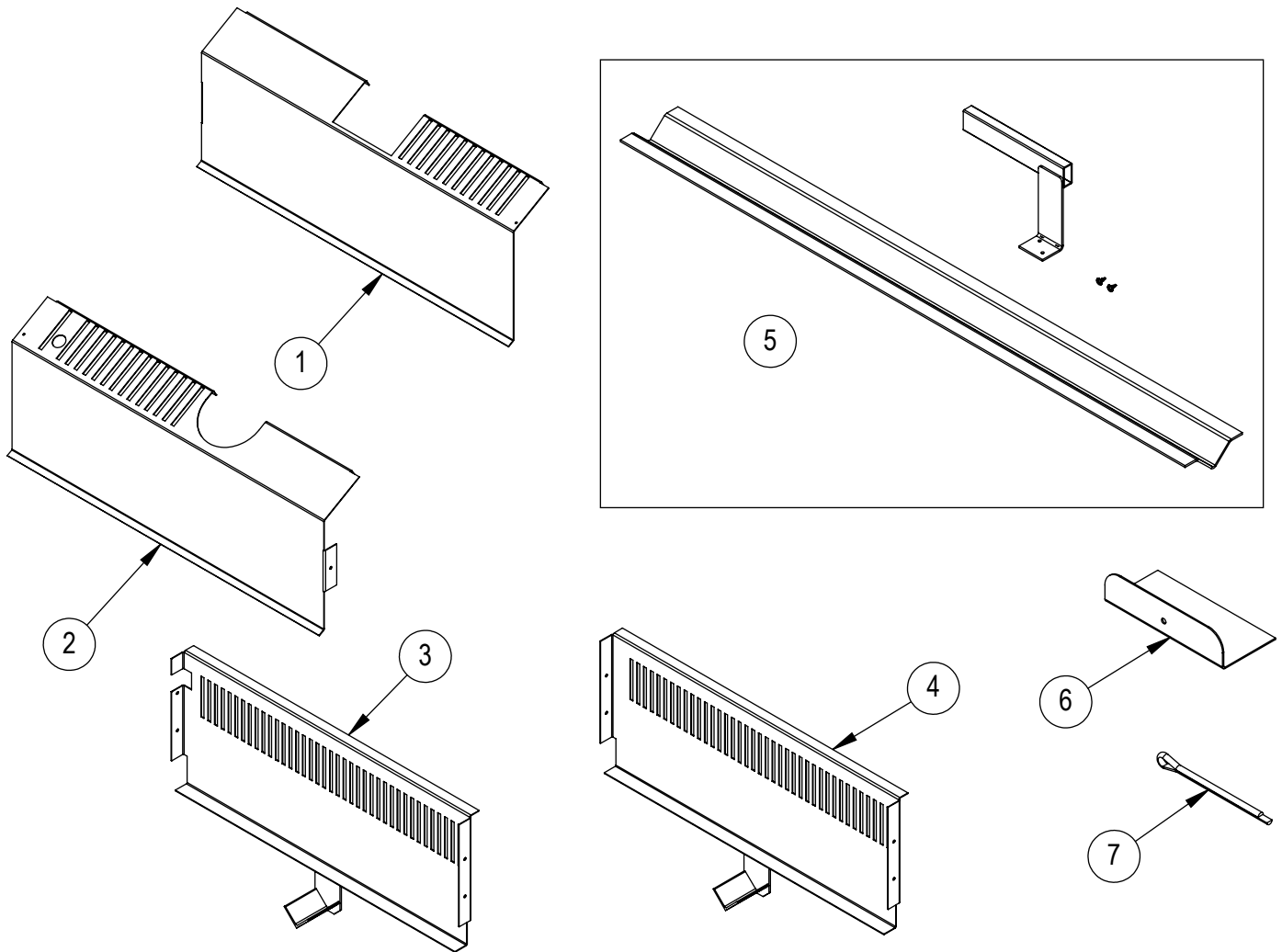


REF. NO.	PART NO.	DESCRIPTION
1	70749	HEAT SHIELD. LH
2	70748	HEAT SHIELD, RH
3	71312	SD BAFFLE ASSY, LH
4	71313	SD BAFFLE ASSY, RH

REF. NO.	PART NO.	DESCRIPTION
5	71894	DEFLECTOR KIT
6	70057	FD HOLD DOWN
7	70084	COTTER PIN, 7/64 X 1.75

BURNER COMPARTMENT COMPONENTS

SD 248 OVEN

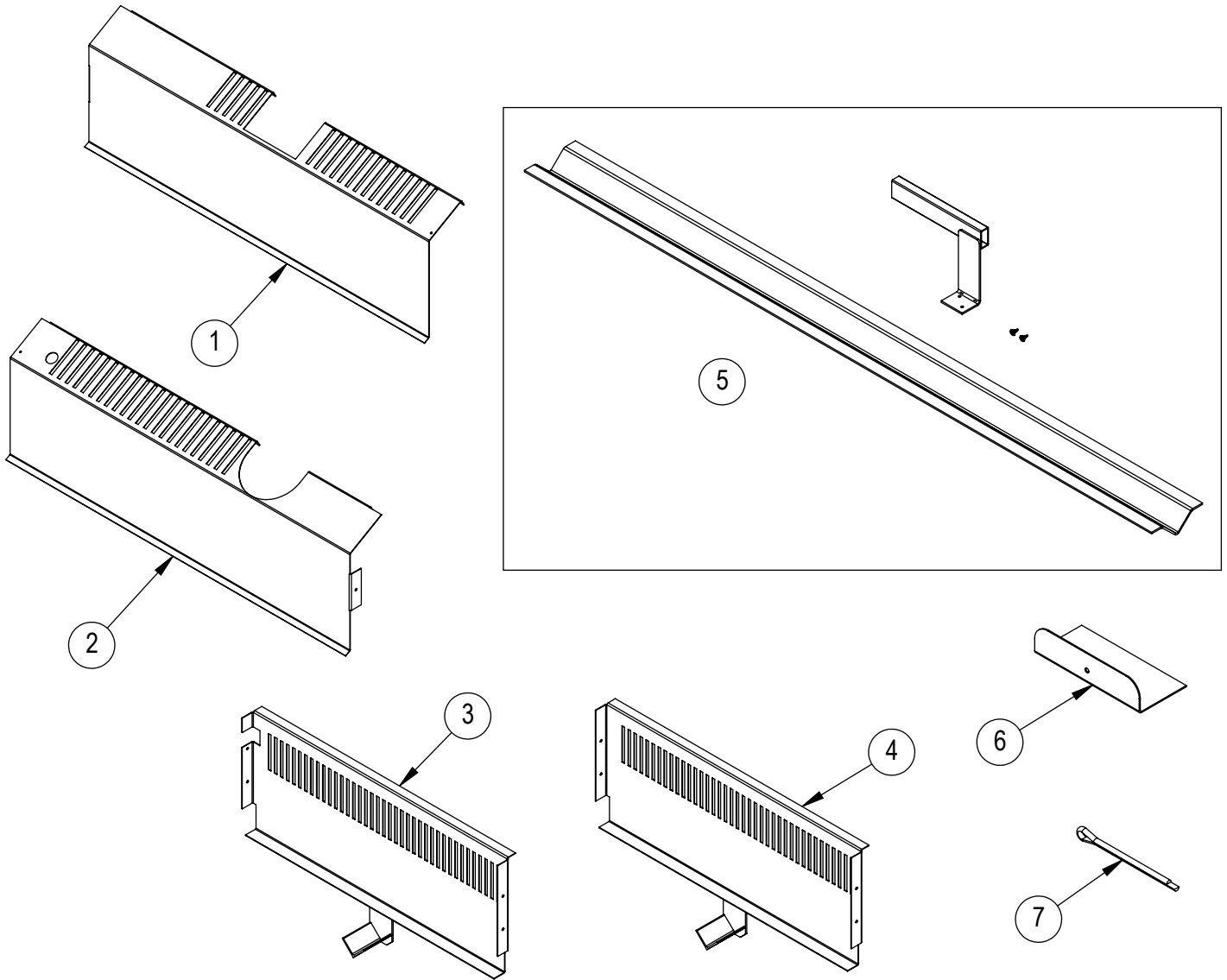


REF. NO.	PART NO.	DESCRIPTION
1	71116	HEAT SHIELD, LH
2	71117	HEAT SHIELD, RH
3	71345	SD BAFFLE ASSY, LH
4	71346	SD BAFFLE ASSY, RH

REF. NO.	PART NO.	DESCRIPTION
5	71898	DEFLECTOR KIT
6	70057	FD HOLD DOWN
7	70084	COTTER PIN, 7/64 X 1.75

BURNER COMPARTMENT COMPONENTS

SD 260 OVEN

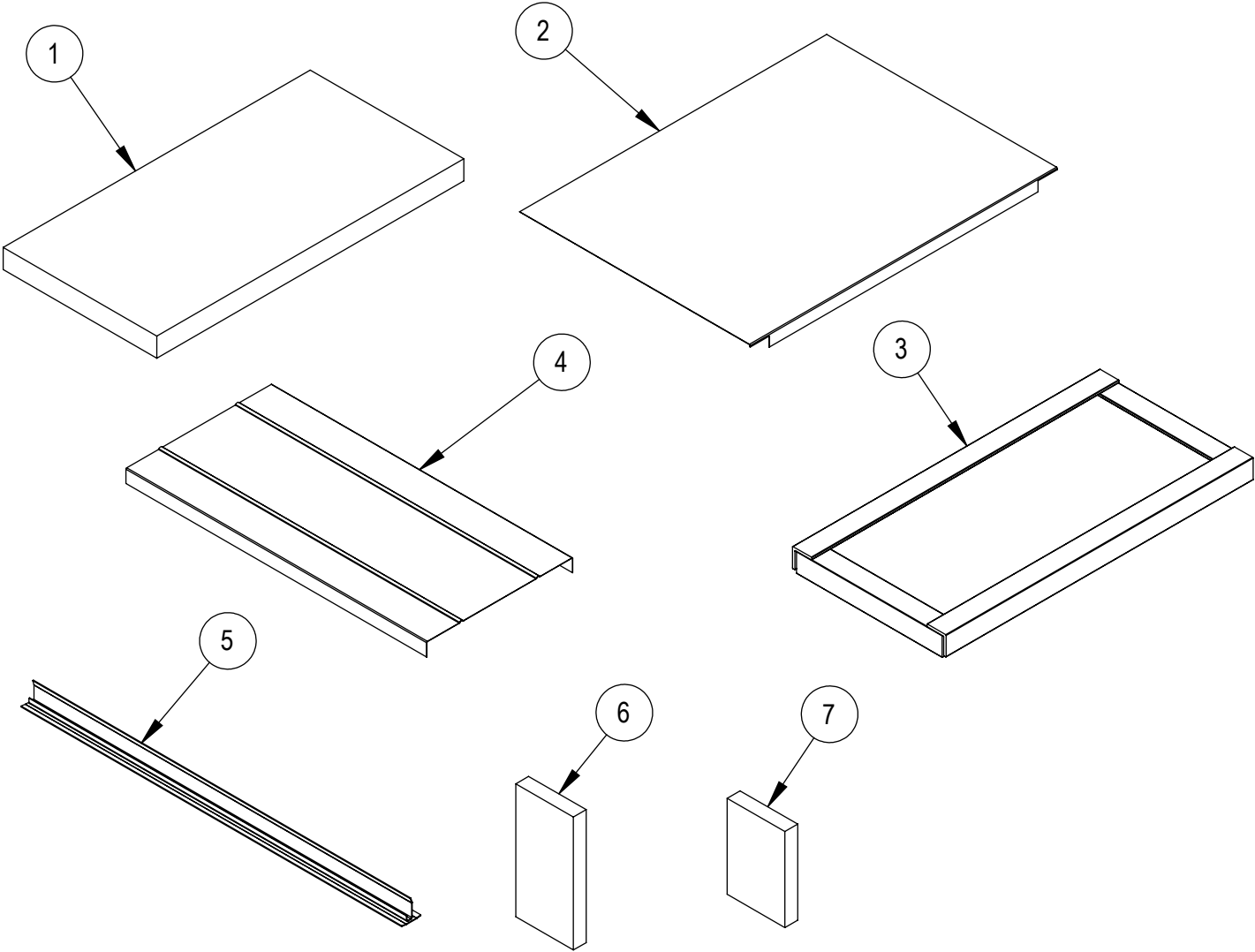


REF. NO.	PART NO.	DESCRIPTION
1	71023	HEAT SHIELD, LH
2	71024	HEAT SHIELD, RH
3	71345	SD BAFFLE ASSY, LH
4	71346	SD BAFFLE ASSY, RH

REF. NO.	PART NO.	DESCRIPTION
5	71897	DEFLECTOR KIT
6	70057	FD HOLD DOWN
7	70084	COTTER PIN, 7/64 X 1.75

BAKING COMPARTMENT COMPONENTS

SD 236 OVENS

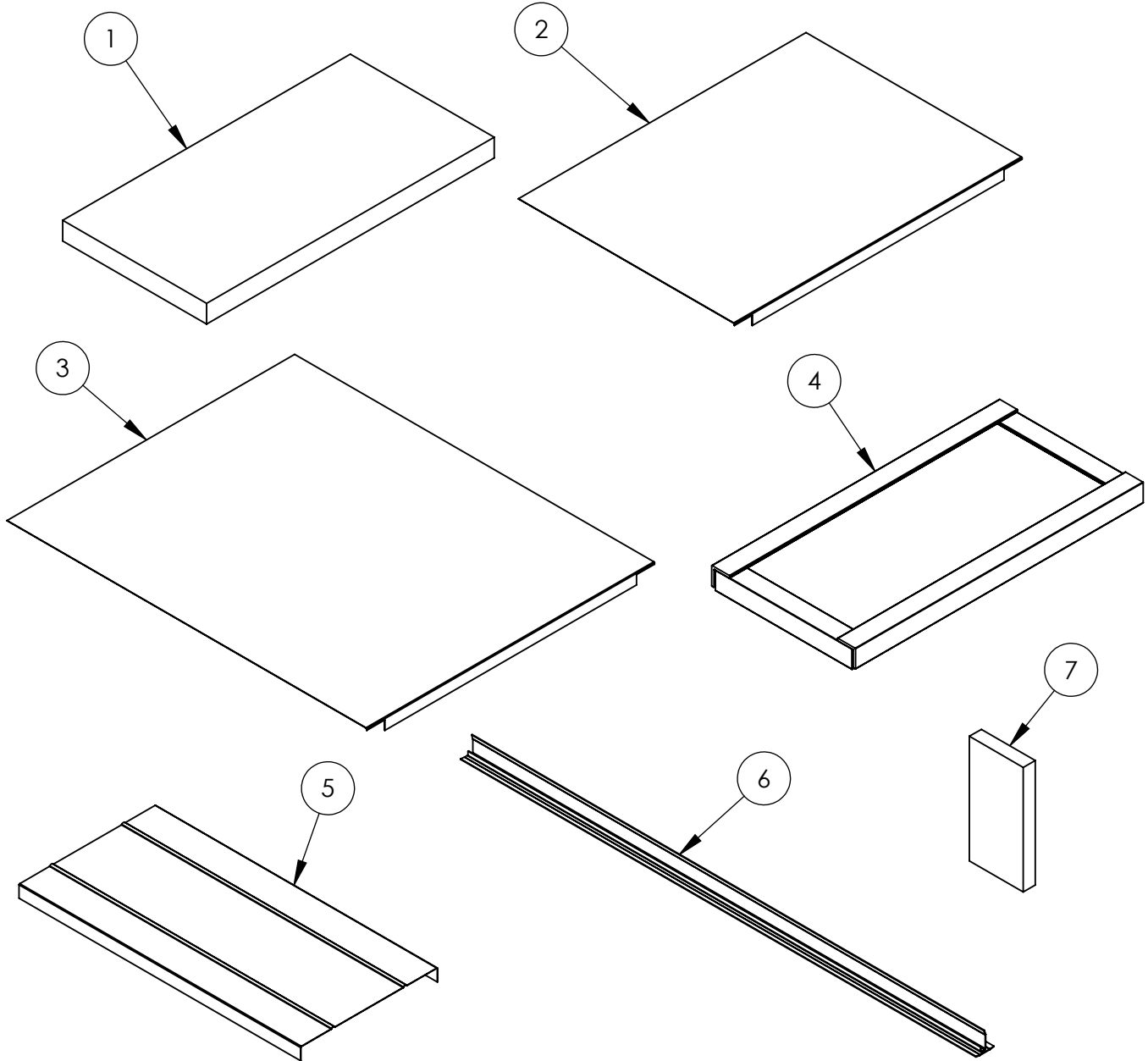


REF. NO.	PART NO.	DESCRIPTION
1	70388	DECK STONE 12 X 24 X 1-1/2
2	70464	BRICK PLATE
3	70462	BRICK BASE, 24 X 12
4	70463	BRICK BAFFLE

REF. NO.	PART NO.	DESCRIPTION
5	70433	CRUMB CATCHER, 29-3/4" LG
6	70391	CEILING BRICK, 1 X 4-1/2 X 9
7	70458	CEILING BRICK, 1 X 4-1/2 X 6-1/2

BAKING COMPARTMENT COMPONENTS

SD 248 OVENS

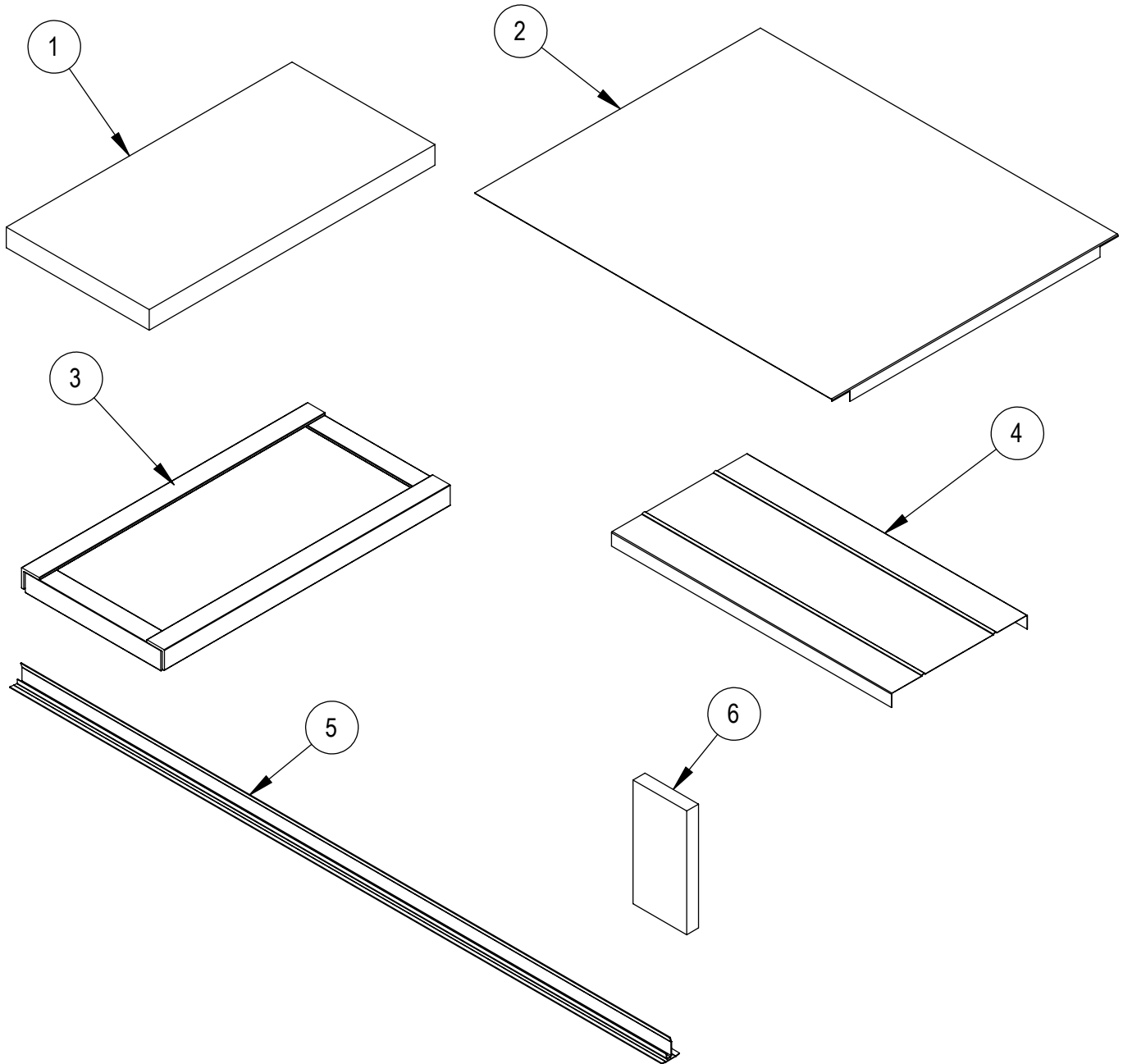


REF. NO.	PART NO.	DESCRIPTION
1	70388	DECK STONE 12 X 24 X 1-1/2
2	70464	BRICK PLATE, LH
3	70465	BRICK PLATE, RH
4	70462	BRICK BASE, 24 X 12

REF. NO.	PART NO.	DESCRIPTION
5	70463	BRICK BAFFLE
6	70475	CRUMB CATCHER, 43" LG
7	70391	CEILING BRICK, 1 X 4-1/2 X 9

BAKING COMPARTMENT COMPONENTS

SD 260 OVEN

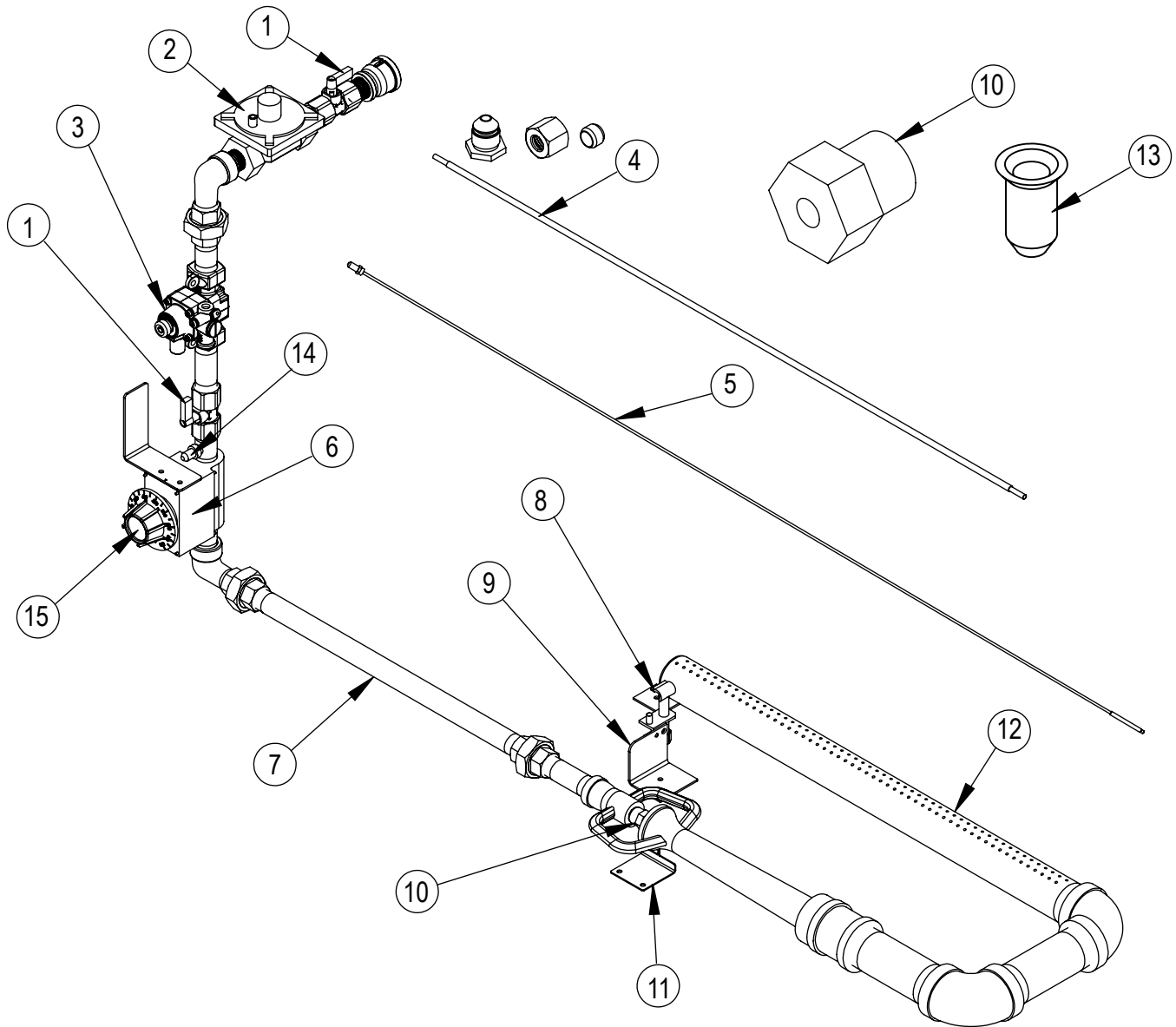


REF. NO.	PART NO.	DESCRIPTION
1	70388	DECK STONE 12 X 24 X 1-1/2
2	70465	BRICK PLATE
3	70462	BRICK BASE, 24 X 12

REF. NO.	PART NO.	DESCRIPTION
4	70463	BRICK BAFFLE
5	70478	CRUMB CATCHER, 54-3/4" LG
6	70391	CEILING BRICK, 1 X 4-1/2 X 9

BURNER AND PIPING PARTS

SD 236 OVEN



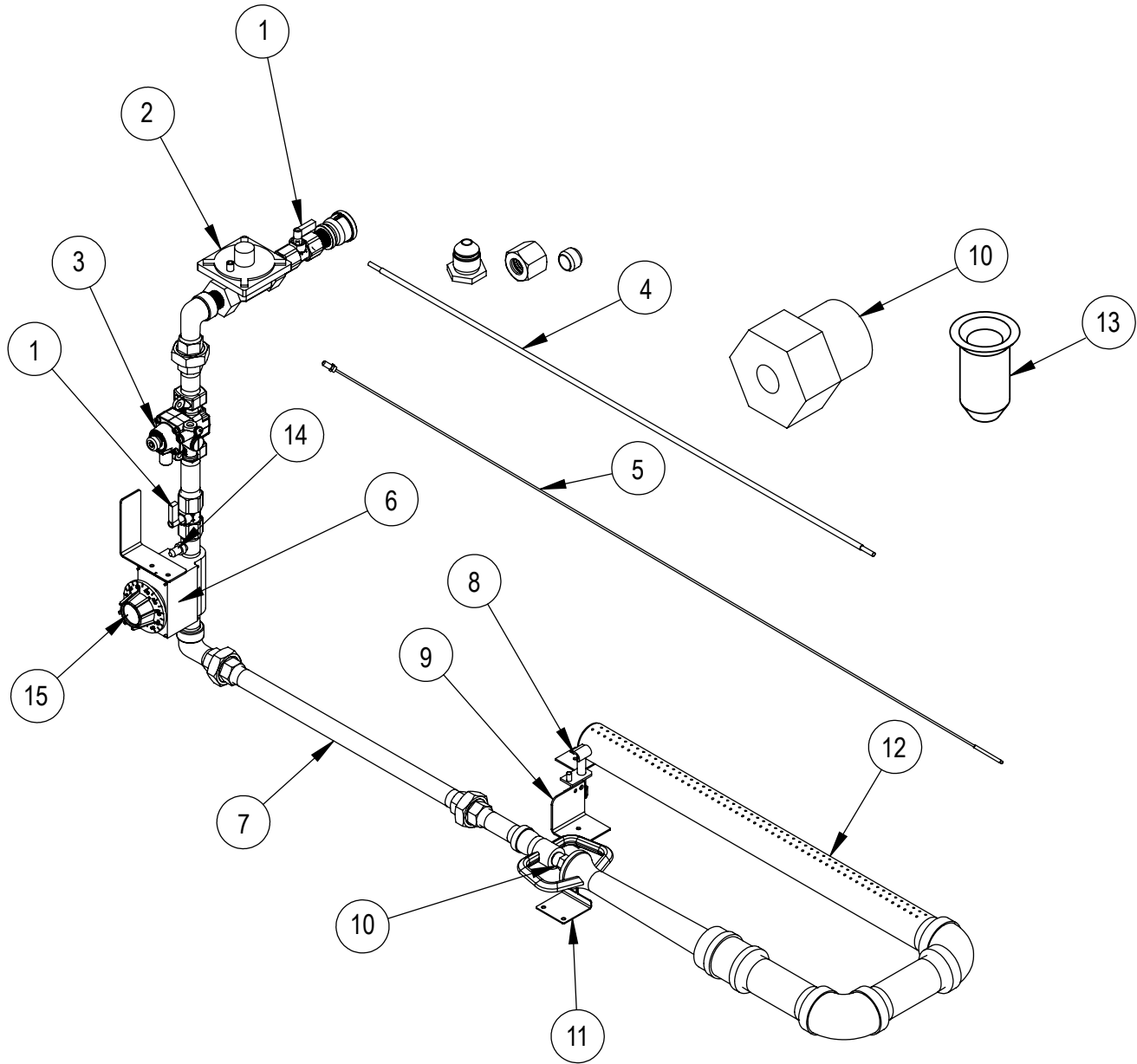
REF. NO.	PART NO.	DESCRIPTION
1	70380	BALL VALVE, 1/2" NPT
2	71881	GAS REGULATOR, NAT
2	71882	GAS REGULATOR, LP
3	55127	TS11 SAFETY VALVE, 1/4" TUBE FIT
4	72290	PILOT TUBE KIT, 42"
5	52091	THERMOCOUPLE, 48" LEAD
6	71880	THERMOSTAT, 300-650 W/KNOB
7	70729	NIPPLE, 1/2 X 14-1/4
8	55132	PILOT ASSY, NAT*
9	70100	PILOT BRACKET

REF. NO.	PART NO.	DESCRIPTION
10	70382	ORIFICE, #33 (NAT)
10	70471	ORIFICE, #54 (LP)
11	70049	VENTURI STOPPER
12	70759	BURNER ASSY
13	70481	PILOT ORIFICE, NAT
13	70482	PILOT ORIFICE, LP
14	70434	PRESSURE TAP, 1/8
15	70044	KNOB, THERMOSTAT

* ORDER WITH 70482 "LP PILOT ORIFICE CUP" FOR LP OVENS

BURNER AND PIPING PARTS

SD 248 OVEN



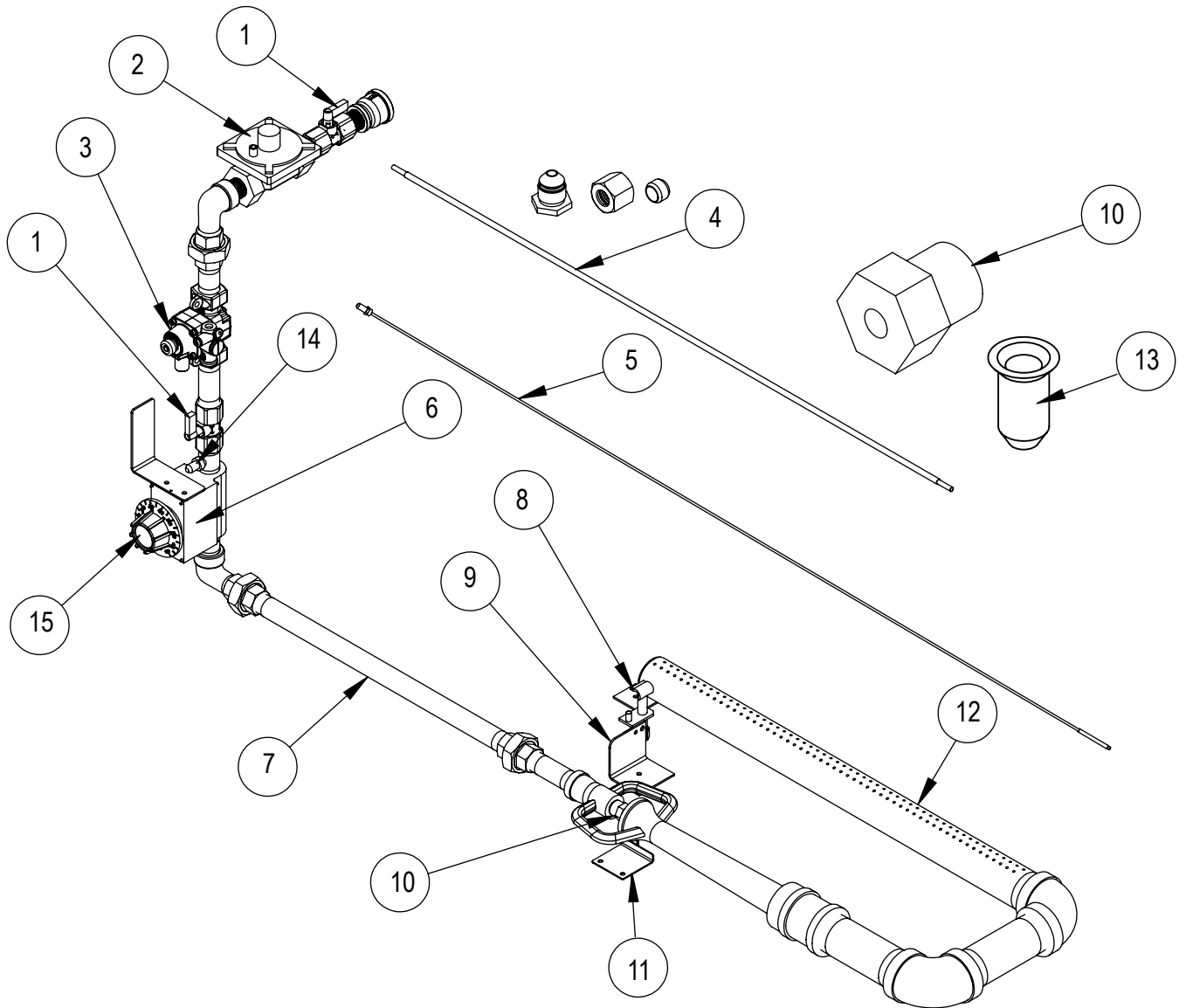
REF. NO.	PART NO.	DESCRIPTION
1	70380	BALL VALVE, 1/2"NPT
2	71881	GAS REGULATOR, NAT
2	71882	GAS REGULATOR, LP
3	55127	TS11 SAFETY VALVE, 1/4" TUBE FIT
4	72290	PILOT TUBE KIT, 42"
5	52091	THERMOCOUPLE, 48" LEAD
6	71880	THERMOSTAT, 300-650 W/KNOB
7	70299	1/2" NPT X 24" PIPE
8	55132	PILOT ASSY, NAT*
9	70100	PILOT BRACKET

REF. NO.	PART NO.	DESCRIPTION
10	70384	ORIFICE, #30 (NAT)
10	70468	ORIFICE, #47 (LP)
11	70049	VENTURI STOPPER
12	71360	BURNER ASSY
13	70481	PILOT ORIFICE, NAT
13	70482	PILOT ORIFICE, LP
14	70434	PRESSURE TAP, 1/8
15	70044	KNOB, THERMOSTAT

* ORDER WITH 70482 "LP PILOT ORIFICE CUP" FOR LP OVENS

BURNER AND PIPING PARTS

SD 260 OVEN



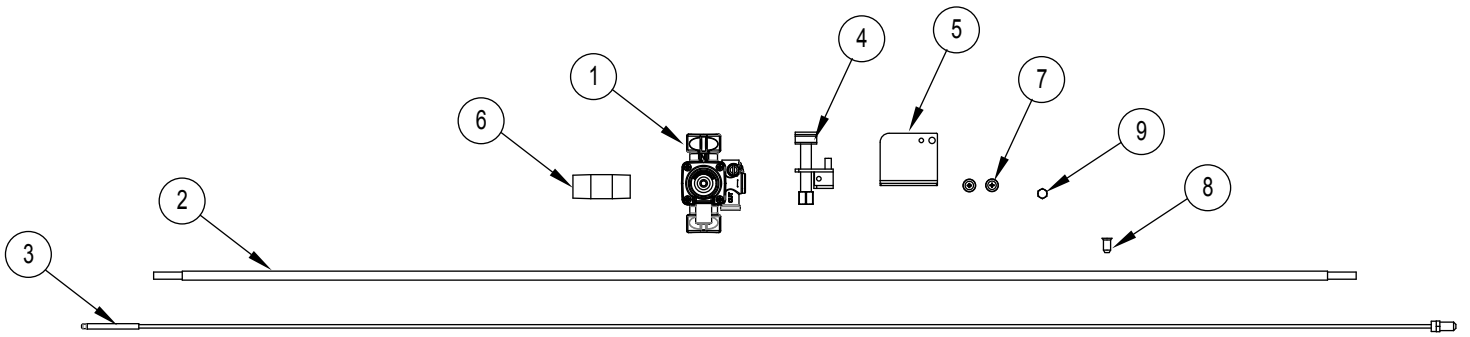
REF. NO.	PART NO.	DESCRIPTION
1	70380	BALL VALVE, 1/2" NPT
2	71881	GAS REGULATOR, NAT
2	71882	GAS REGULATOR, LP
3	55127	TS11 SAFETY VALVE, 1/4" TUBE FIT
4	72290	PILOT TUBE KIT, 42"
5	52091	THERMOCOUPLE, 48" LEAD
6	71880	THERMOSTAT, 300-650 W/KNOB
7	70042	1/2" NPT X 33-1/4" PIPE
8	55132	PILOT ASSY, NAT*
9	70100	PILOT BRACKET
10	70469	ORIFICE, #25 (NAT)

REF. NO.	PART NO.	DESCRIPTION
10	70470	ORIFICE, #40 (LP)
11	70049	VENTURI STOPPER
12	70702	BURNER ASSY
13	70481	PILOT ORIFICE, NAT
13	70482	PILOT ORIFICE, LP
14	70434	PRESSURE TAP, 1/8
15	70044	KNOB, THERMOSTAT

* ORDER WITH 70482 "LP PILOT ORIFICE CUP" FOR LP OVENS

BURNER AND PIPING PARTS

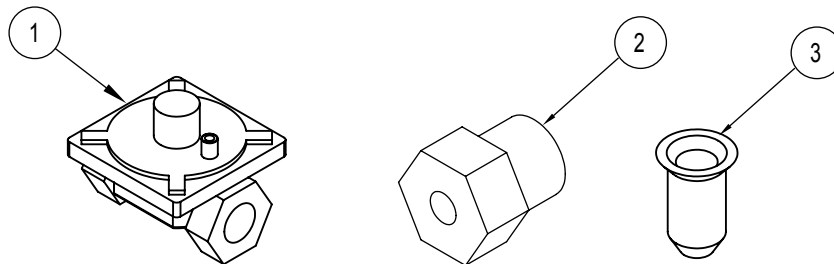
PILOT UPGRADE SAFETY VALVE KIT FOR OVENS BUILT BEFORE 10/2008



REF. NO.	PART NO.	DESCRIPTION
	70376	PILOT UPGRADE SAFETY VALVE KIT INCLUDES THE FOLLOWING PARTS
1	55127	TS11 SAFETY VALVE
2	70046	PILOT TUBING, 42"
3	52091	THERMOCOUPLE, 48" LEAD
4	70101	PILOT ASSY, W/ORIFICE
5	55132	PILOT BRACKET

REF. NO.	PART NO.	DESCRIPTION
6	70233	NIPPLE, 1/2" X 2" BLACK
7	70729	SCREW, 8-18 X 1/2 DRILL POINT (QTY. 2)
8	70482	.010 PILOT ORIFICE CUP, LP
9	71852	SCREW, 10-32 X 1/4 HEX HEAD

GAS CONVERSION KITS



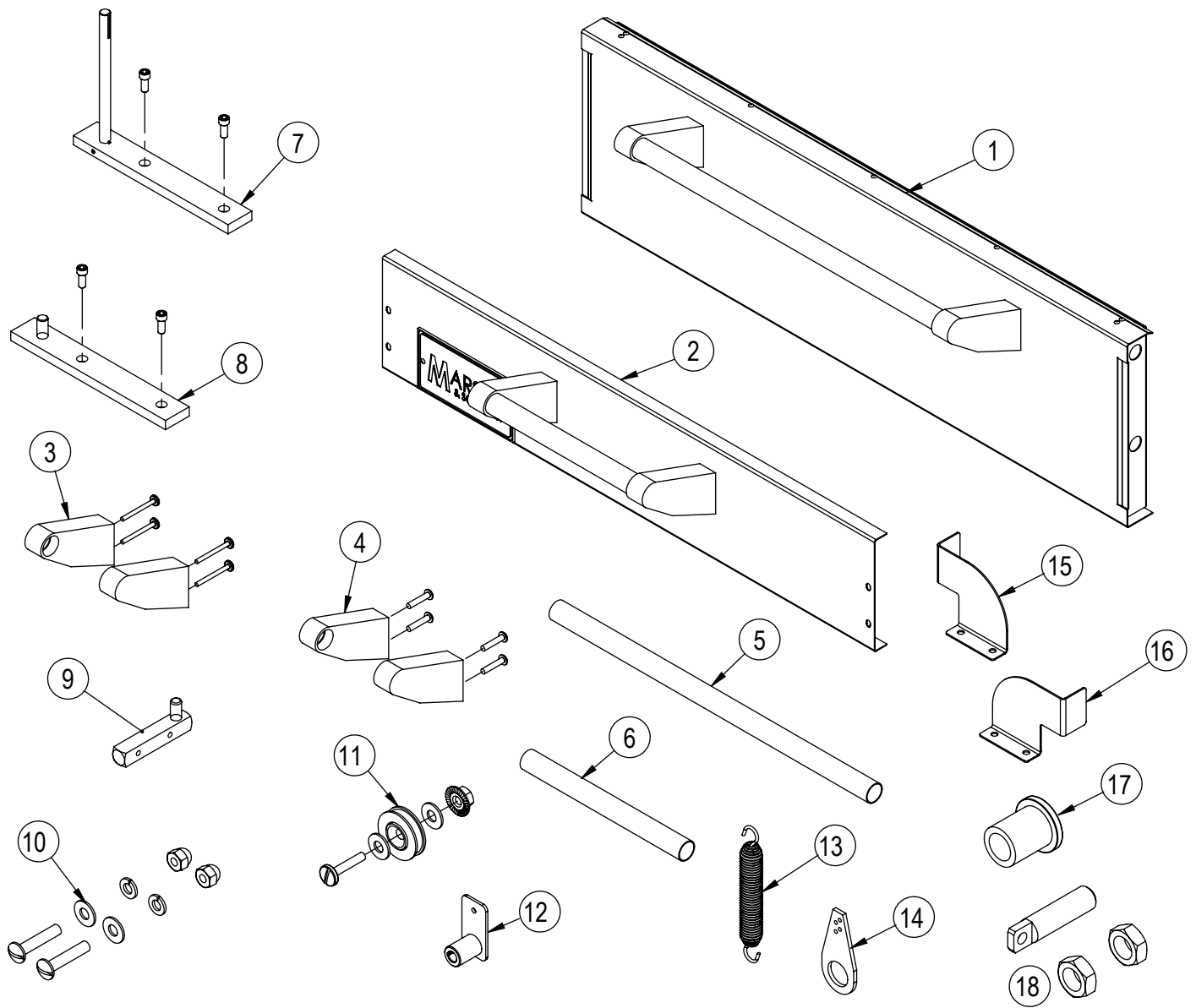
REF. NO.	PART NO.	DESCRIPTION
	71987	Natural to LP Gas Conversion Kit
1	70386	Gas Regulator, LP
2	See Chart	Burner Orifice, LP
3	70482	Pilot Orifice, LP

REF. NO.	PART NO.	DESCRIPTION
	71988	LP to Natural Gas Conversion Kit
1	70385	Gas Regulator, NAT
2	See Chart	Burner Orifice, NAT
3	70481	Pilot Orifice, NAT

SD BURNER ORIFICES		
MODEL	NATURAL	PROPANE
SD236	70382	70471
SD248	70384	70468
SD260	70469	70470
SD448/SD1048	70381	70492
SD660/SD1060	70383	70491
SD866/SD10866	70383	70491

DOOR PARTS

SD 236 OVEN

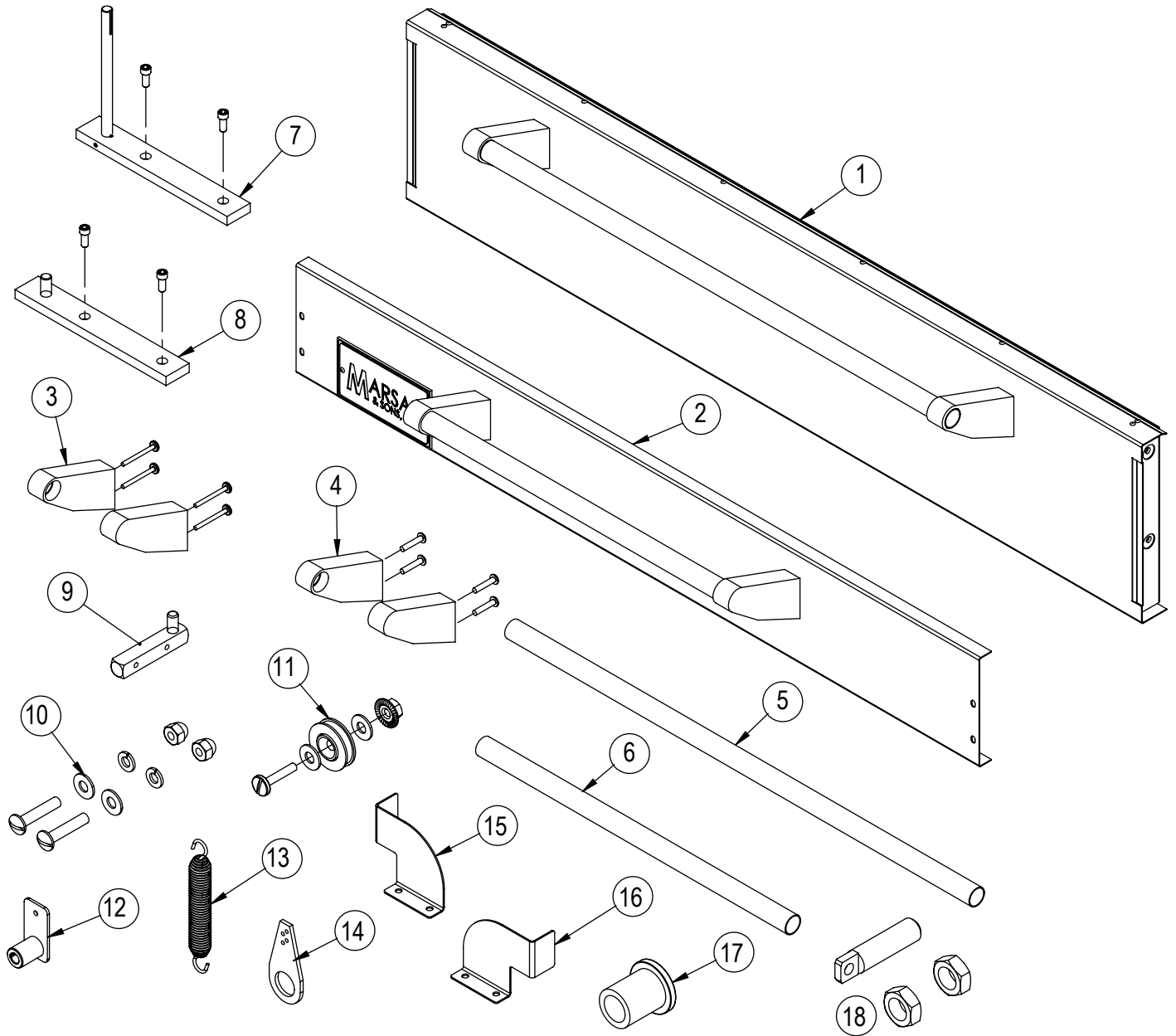


REF. NO.	PART NO.	DESCRIPTION
1	71918	BAKING DOOR SVC KIT, SD236
2	71984	BURNER DOOR SVC KIT, SD236
3	71892	SD DOOR HANDLE BRACKET KIT
4	71985	BURNER DOOR HANDLE BRACKET KIT
5	71138	20" DOOR HANDLE, S/S
6	71330	10" DOOR HANDLE, S/S
7	71886	SD OVEN DOOR HINGE KIT, LH
8	71890	SD 10" OVEN DOOR HINGE KIT, RH
9	70143	BURNER DOOR HINGE ASSY

REF. NO.	PART NO.	DESCRIPTION
10	71930	BURNER DOOR HINGE HARDWARE KIT
11	71910	SPRING WHEEL KIT
12	71331	COUPLING ASSY
13	70416	SPRING
14	70432	TEAR DROP, 4-3/8"
15	70671	BURNER DOOR STOP, RH
16	70107	BURNER DOOR STOP, LH
17	70154	BUSHING, DOOR PIN
18	72286	SPRING ANCHOR KIT

DOOR PARTS

SD 248 OVEN

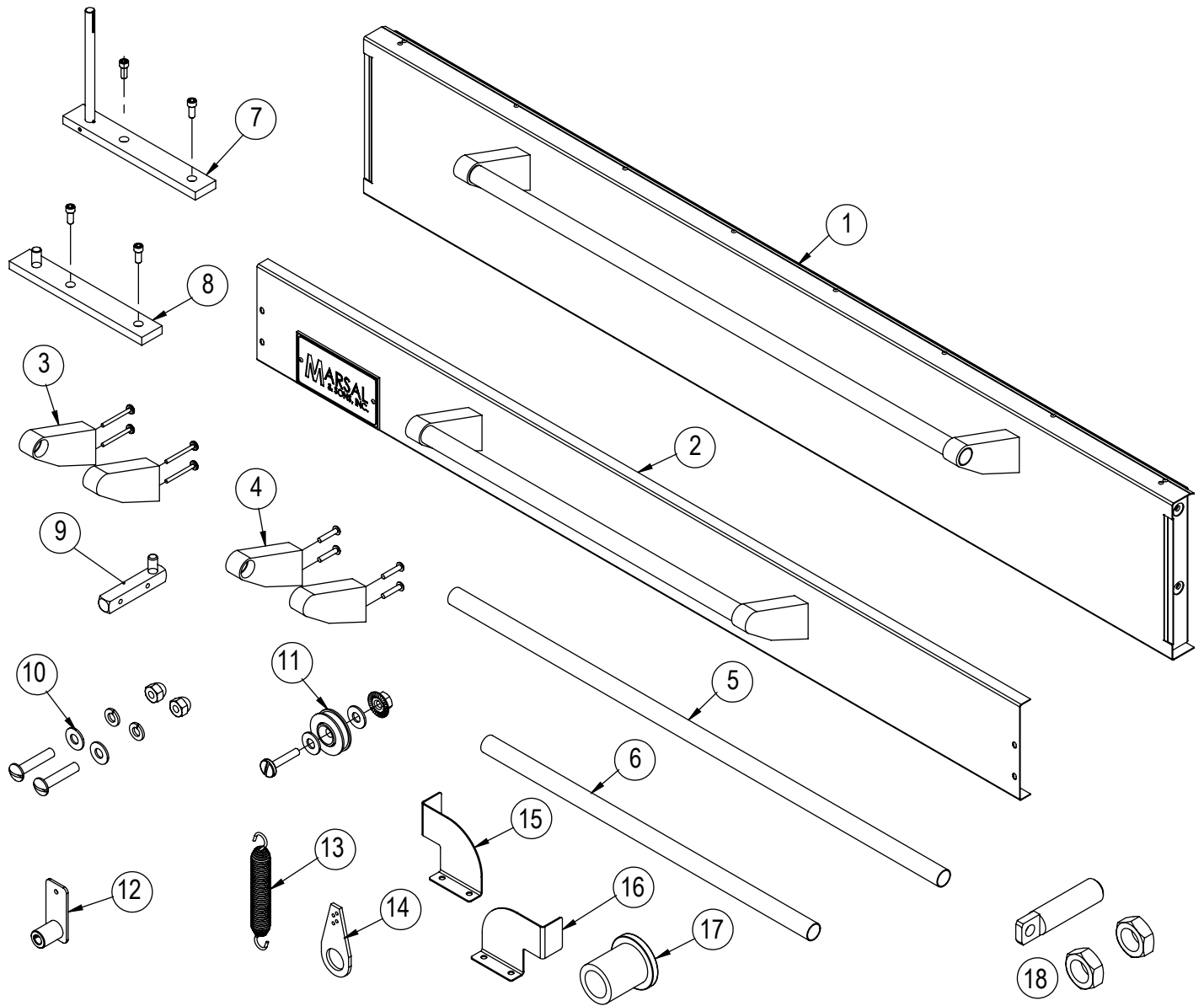


REF. NO.	PART NO.	DESCRIPTION
1	71913	BAKING DOOR SVC KIT, SD448
2	71982	BURNER DOOR SVC KIT, SD448
3	71892	SD DOOR HANDLE BRACKET KIT
4	71985	BURNER DOOR HANDLE BRACKET KIT
5	70429	30" DOOR HANDLE, S/S
6	71138	20" DOOR HANDLE, S/S
7	71866	SD OVEN DOOR HINGE KIT, LH
8	71890	SD 10" OVEN DOOR HINGE KIT, RH
9	70143	BURNER DOOR HINGE ASSY

REF. NO.	PART NO.	DESCRIPTION
10	71930	BURNER DOOR HINGE HARDWARE KIT
11	71910	SPRING WHEEL KIT
12	71331	COUPLING ASSY
13	70416	SPRING
14	70432	TEAR DROP, 4-3/8"
16	70671	BURNER DOOR STOP, RH
16	70107	BURNER DOOR STOP, LH
17	70154	BUSHING, DOOR PIN
18	72286	SPRING ANCHOR KIT

DOOR PARTS

SD 260 OVEN

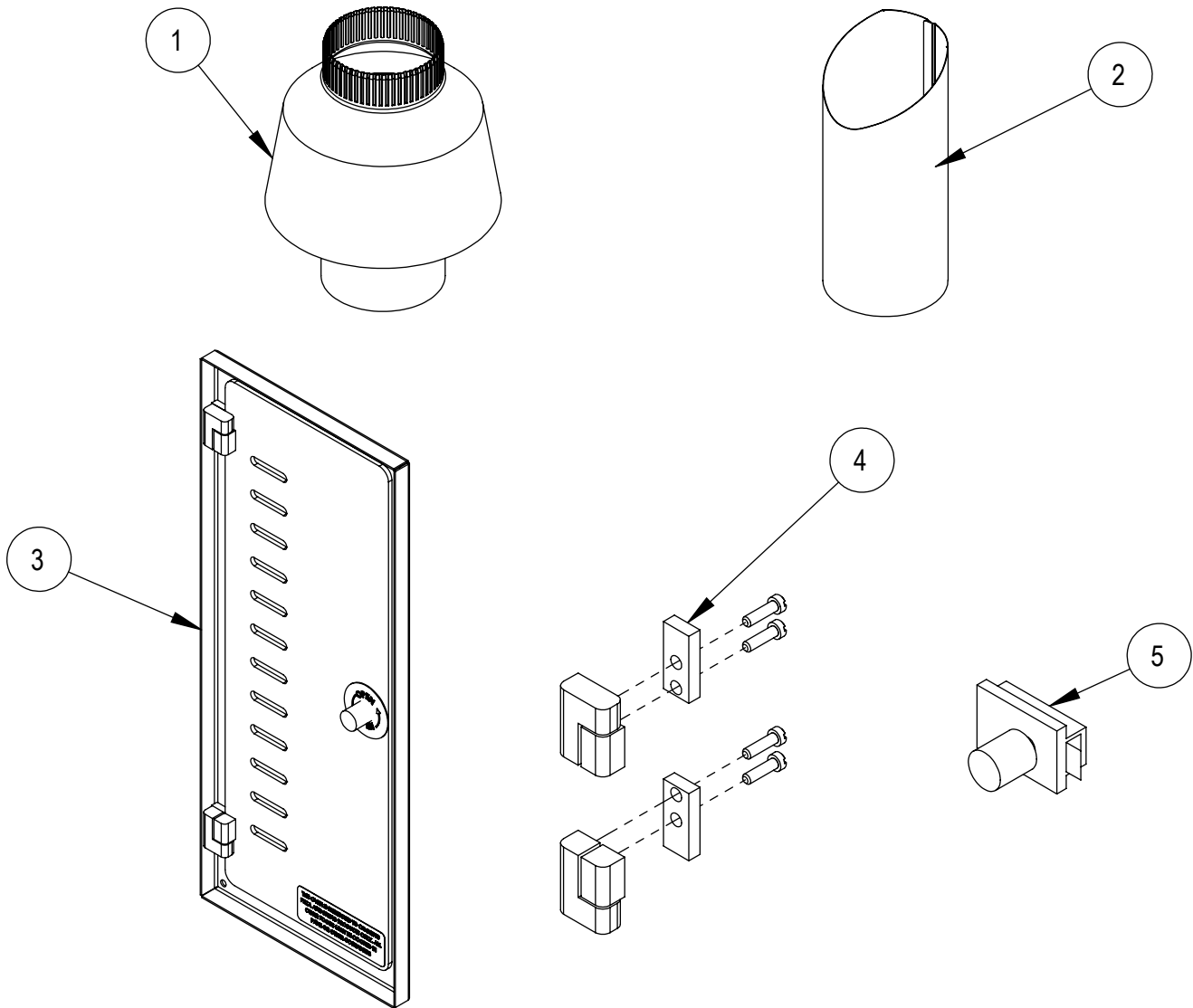


REF. NO.	PART NO.	DESCRIPTION
1	71912	BAKING DOOR SVC KIT, SD660
2	71981	BURNER DOOR SVC KIT, SD660
3	71892	SD DOOR HANDLE BRACKET KIT
4	71985	BURNER DOOR HANDLE BRACKET KIT
5	70430	36" DOOR HANDLE, S/S
6	70431	24" DOOR HANDLE, S/S
7	71866	SD OVEN DOOR HINGE KIT, LH
8	71890	SD 10" OVEN DOOR HINGE KIT, RH
9	70143	BURNER DOOR HINGE ASSY

REF. NO.	PART NO.	DESCRIPTION
10	71930	BURNER DOOR HINGE HARDWARE KIT
11	71910	SPRING WHEEL KIT
12	71043	COUPLING ASSY
13	70416	SPRING
14	70432	TEAR DROP, 4-3/8"
16	70671	BURNER DOOR STOP, RH
16	70107	BURNER DOOR STOP, LH
17	70154	BUSHING, DOOR PIN
18	72286	SPRING ANCHOR KIT

SD CONTROL DOOR AND FLUES

ALL OVENS



REF. NO.	PART NO.	DESCRIPTION
1	70427	DRAFT HOOD
2	70103	CHIMNEY TOP
3	71067	SD CONTROL DOOR ASSY W/ S/S TRIM
4	71905	CONTROL DOOR HINGE KIT
5	70128	LATCH, CONTROL PANEL