



CT Series Counter Top Oven Specifications

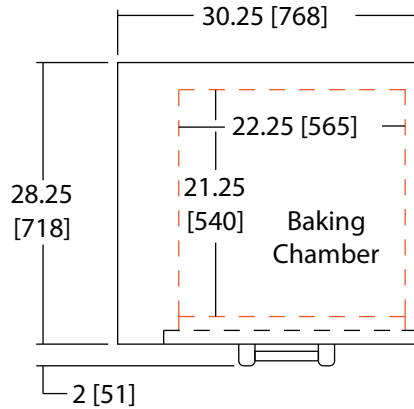
Model No. CT 301 & CT 302

Phone: (631) 226-6688
FAX: (631) 226-6890

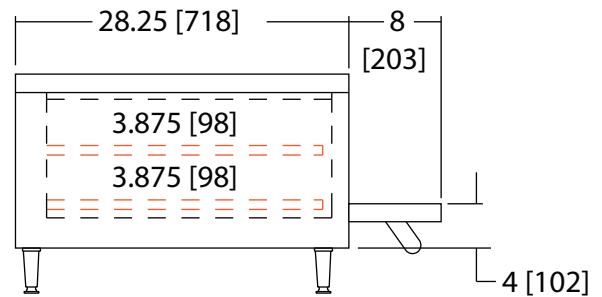
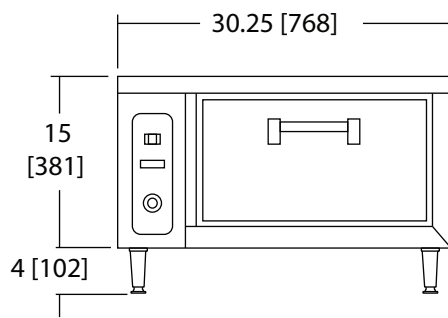
Dimensions are in inches [mm]



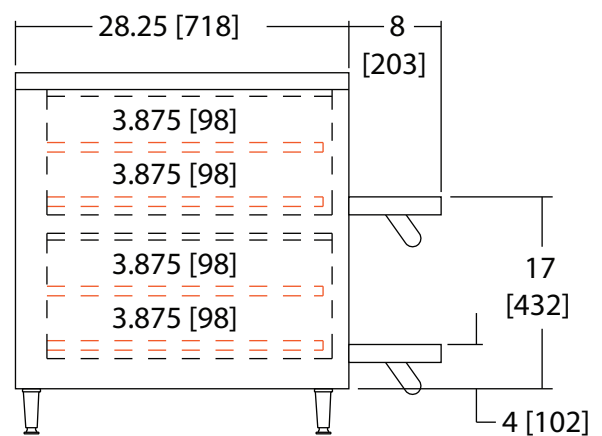
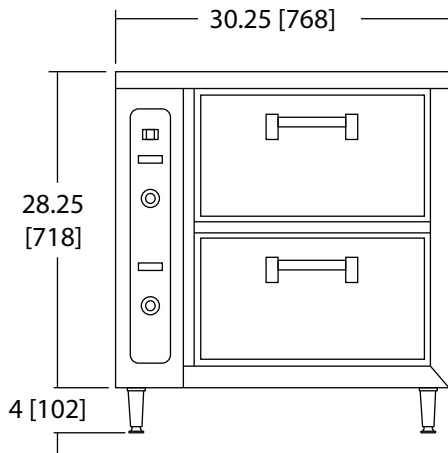
ALL MODELS



CT301



CT302



TOP VIEWS

SIDE VIEWS

cooking deck specifications

	CT301	CT302
Number of doors	1	2
Number of cooking decks	2	4
Cooking deck dimensions	20.75" W x 20.75" D x .625" H	
Height between decks	3.875"	