



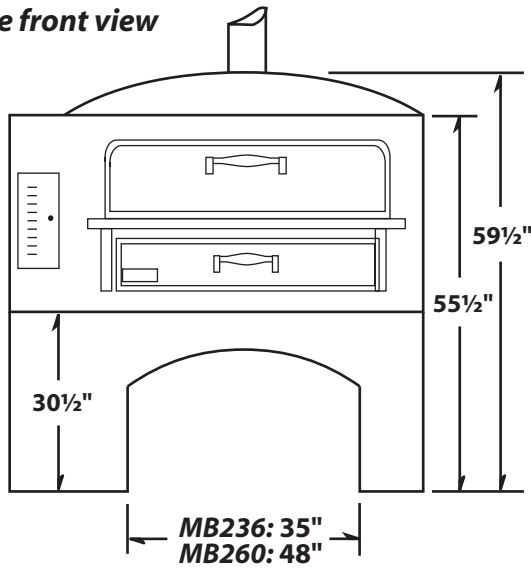
# MB Slice Oven Specifications

Model No. MB236, MB260

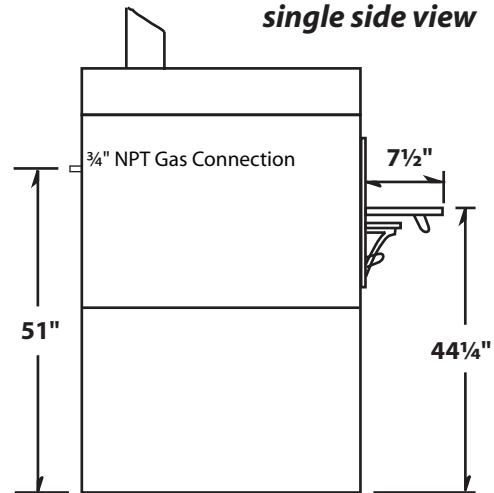
Phone: (631) 226-6688  
FAX: (631) 226-6890



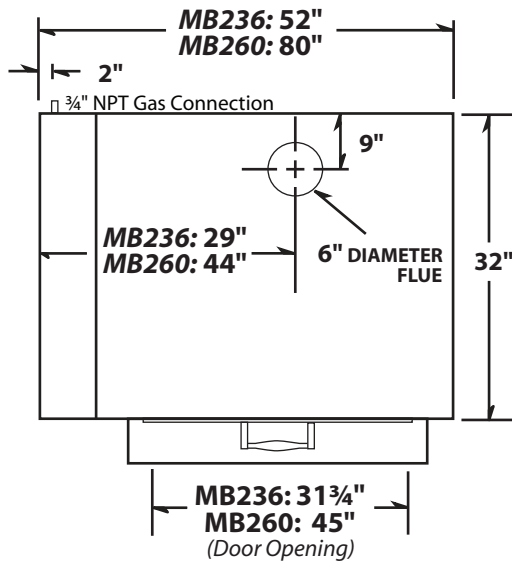
single front view



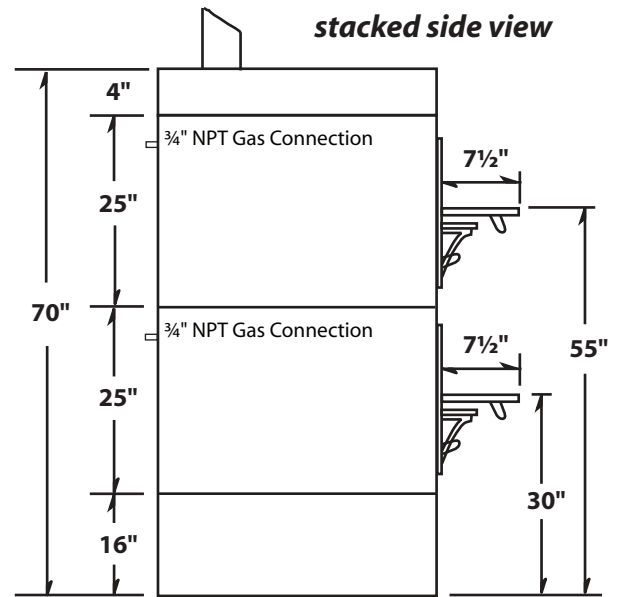
single side view



top view



stacked side view



## specifications

	MB 236 Single	MB 236 Stacked	MB 260 Single	MB 260 Stacked
Height	59 1/2"	70"	59"	60"
Depth x Length	32" x 52"	32" x 52"	32" x 80"	32" x 80"
Cooking Surface	24" x 36"	24" x 36" x 2	24" x 60"	24" x 60" x 2
BTUs	LP: 50,000 NAT: 50,000	LP: 50,000 x 2 NAT: 50,000 x 2	LP: 80,000 NAT: 80,000	LP: 80,000 x 2 NAT: 80,000 x 2
Shipping Weight	780 lbs.	1,470 lbs.	1,150 lbs.	2,200 lbs.