



# 8 Pie SD Series Pizza Ovens Specifications

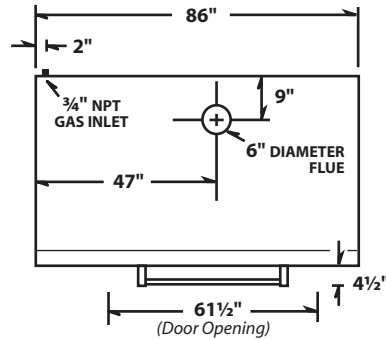
Model No. SD866, SD1066

Phone: (631) 226-6688

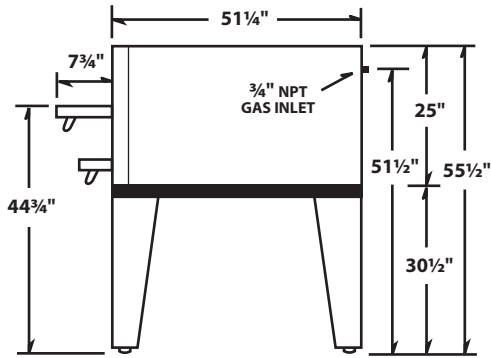
FAX: (631) 226-6890



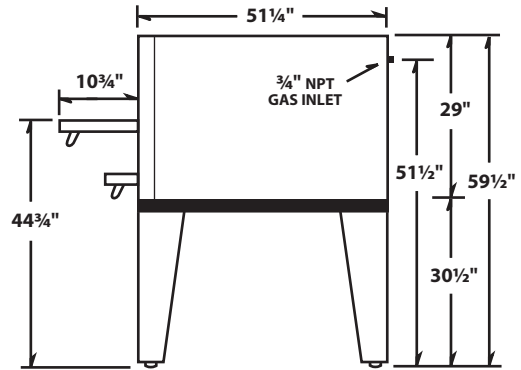
TOP  
SD 866/1066



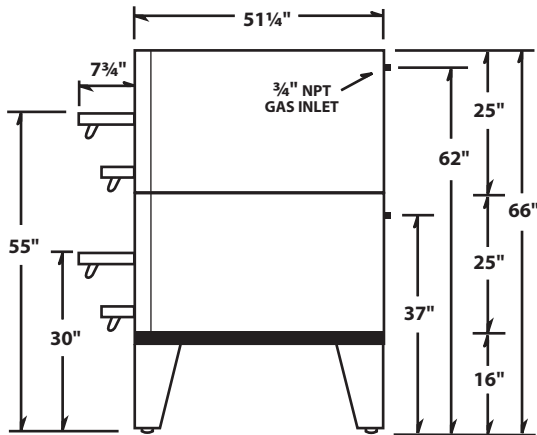
SIDE  
SINGLE SD 866



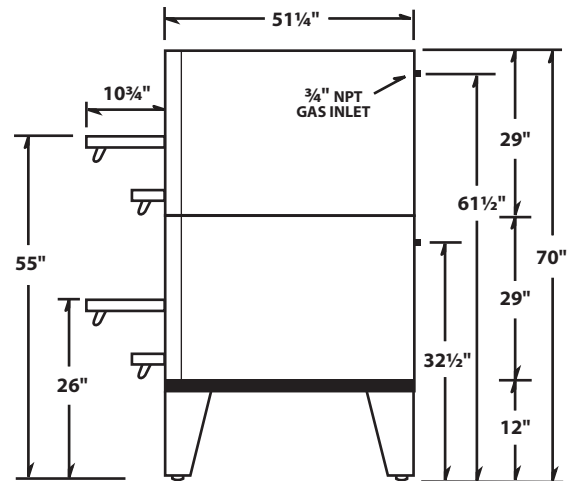
SIDE  
SINGLE SD 10866



SIDE  
STACKED SD 866



SIDE  
STACKED SD 10866



## specifications

	SD 866 Single	SD 866 Stacked	SD 10866 Single	SD 10866 Stacked
Height	55 1/2"	66"	59 1/2"	70"
Depth x Length	51 1/4" x 86"	51 1/4" x 86"	51 1/4" x 86"	51 1/4" x 86"
Cooking Surface	44" x 66"	44" x 66" x 2	44" x 66"	44" x 66" x 2
BTUs	LP: 120,000 NAT: 130,000	LP: 120,000 x 2 NAT: 130,000 x 2	LP: 120,000 NAT: 130,000	LP: 120,000 x 2 NAT: 130,000 x 2
Shipping Weight	1,625 lbs.	3,200 lbs.	1,900 lbs.	3,350 lbs.
Pizza Pie Capacity	(8) 16" Pies	(16) 16" Pies	(8) 16" Pies	(16) 16" Pies