



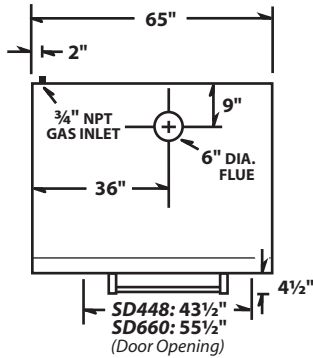
SD Series Pizza Ovens Specifications

Model No. SD448, SD660, SD1048, SD1060

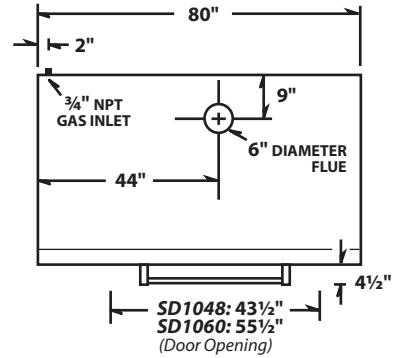
Phone: (631) 226-6688
FAX: (631) 226-6890



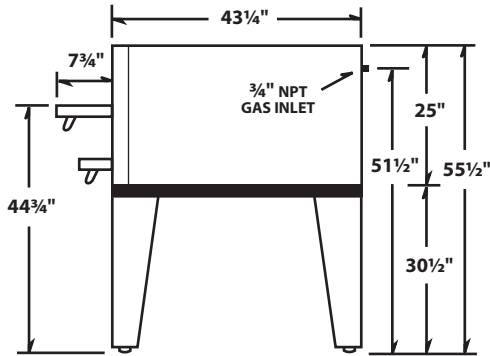
TOP
SD 448/1048



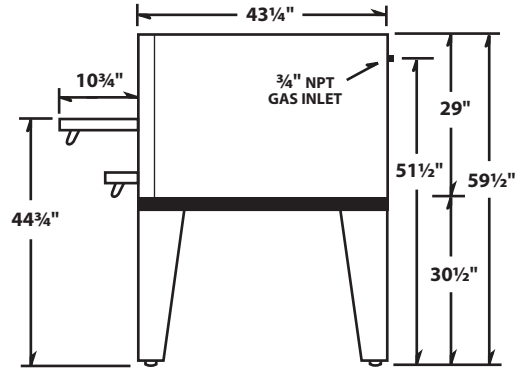
TOP
SD 660/1060



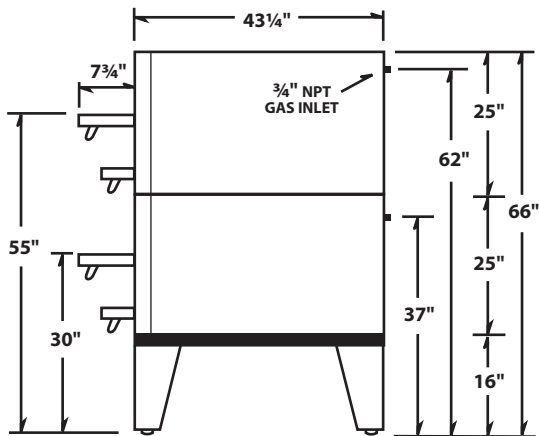
SIDE
SINGLE SD 448/660



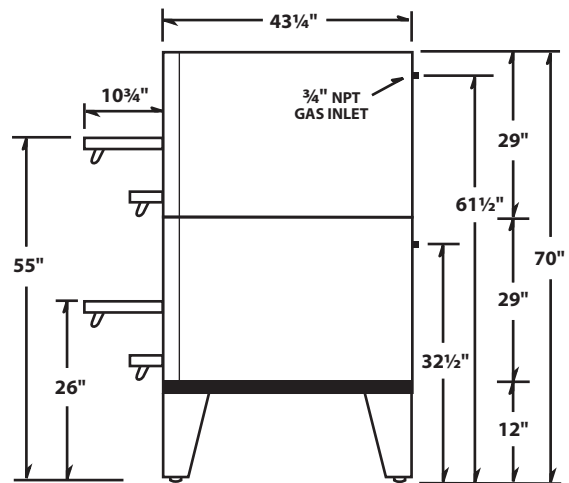
SIDE
SINGLE SD 1048/1060



SIDE
STACKED SD 448/660



SIDE
STACKED SD 1048/1060



specifications

	SD 448 Single	SD 448 Stacked	SD 660 Single	SD 660 Stacked	SD 1048 Single	SD 1048 Stacked	SD 1060 Single	SD 1060 Stacked	SD 1048 SD 448	SD 1060 SD 660
Height	55 1/2"	66"	55 1/2"	66"	59 1/2"	70"	59 1/2"	70"	68"	68"
Depth x Length	43 1/4" x 65"	43 1/4" x 65"	43 1/4" x 80"	43 1/4" x 80"	43 1/4" x 65"	43 1/4" x 65"	43 1/4" x 80"	43 1/4" x 80"	43 1/4" x 65"	43 1/4" x 80"
Cooking Surface	36" x 48"	36" x 48" x 2	36" x 60"	36" x 60" x 2	36" x 48"	36" x 48" x 2	36" x 60"	36" x 60" x 2	36" x 48" x 2	36" x 60" x 2
BTUs	LP: 90,000 NAT: 95,000	LP: 90,000 x 2 NAT: 95,000 x 2	LP: 120,000 NAT: 130,000	LP: 120,000 x 2 NAT: 130,000 x 2	LP: 90,000 NAT: 95,000	LP: 90,000 x 2 NAT: 95,000 x 2	LP: 120,000 NAT: 130,000	LP: 120,000 x 2 NAT: 130,000 x 2	LP: 90,000 x 2 NAT: 95,000 x 2	LP: 120,000 x 2 NAT: 130,000 x 2
Shipping Weight	1,075 lbs.	2,100 lbs.	1,400 lbs.	2,750 lbs.	1,150 lbs.	2,250 lbs.	1,475 lbs.	2,900 lbs.	2,175 lbs.	2,825 lbs.
Pizza Pie Capacity	(4) 18" Pies	(8) 18" Pies	(6) 18" Pies	(12) 18" Pies	(4) 18" Pies	(8) 18" Pies	(6) 18" Pies	(12) 18" Pies	(8) 18" Pies	(12) 18" Pies