

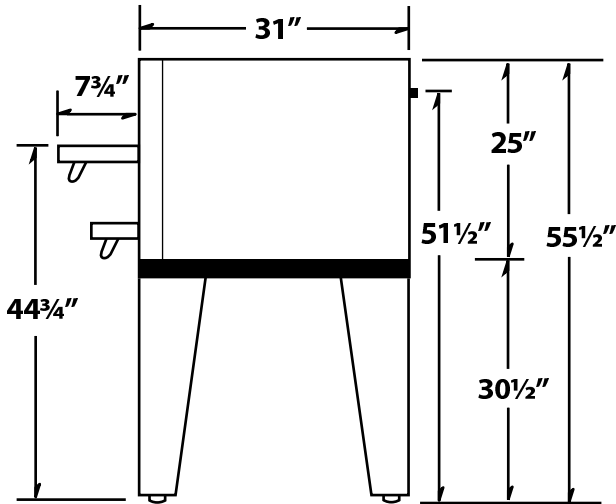


Slice Oven Specifications

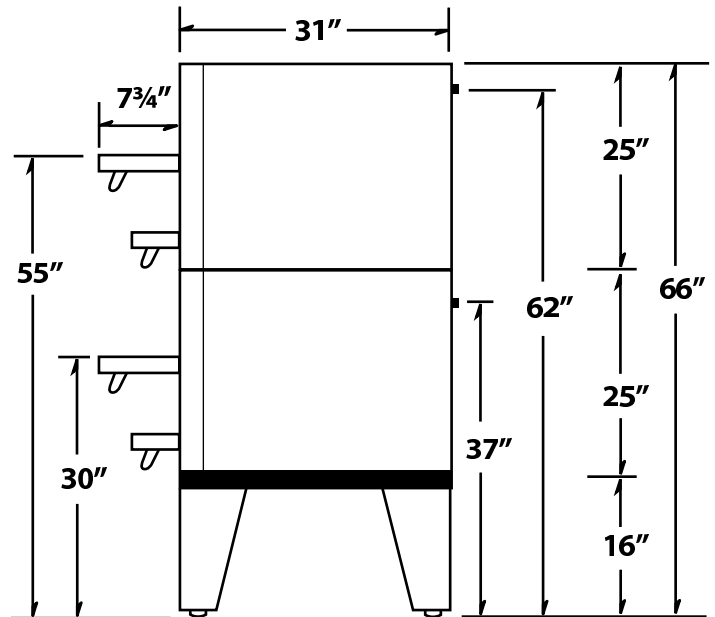
Model No. SD236, SD248, SD260

Phone: (631) 226-6688
FAX: (631) 226-6890

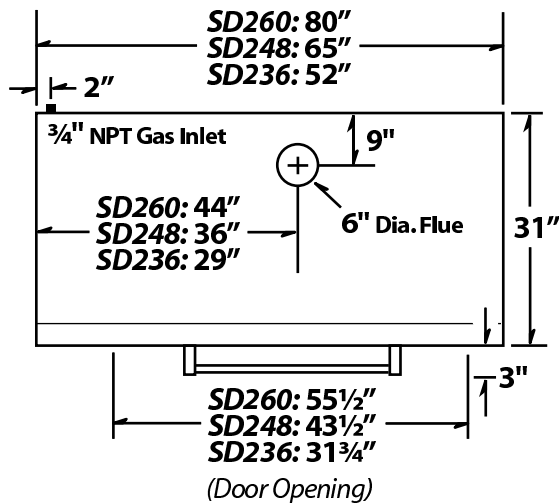
single model side view



stacked model side view



top view



	SD 236 Single	SD 236 Stacked	SD 248 Single	MB 248 Stacked	MB 260 Single	MB 260 Stacked
Height	55 1/2"	66"	55 1/2"	66"	55 1/2"	66"
Depth x Length	31" x 52"	31" x 52"	31" x 65"	31" x 65"	31" x 80"	31" x 80"
Cooking Surface	24" x 36"	24" x 36" x 2	24" x 48"	24" x 48" x 2	24" x 60" x 2	24" x 60" x 2
BTUs	LP: 50,000 NAT: 50,000	LP: 50,000 x 2 NAT: 50,000 x 2	LP: 65,000 NAT: 65,000	LP: 65,000 x 2 NAT: 65,000 x 2	LP: 80,000 x 2 NAT: 80,000 x 2	LP: 80,000 x 2 NAT: 80,000 x 2
Shipping Weight	780 lbs.	1,490 lbs.	925 lbs.	1,750 lbs.	1,050 lbs.	1,950 lbs.



Made in the USA

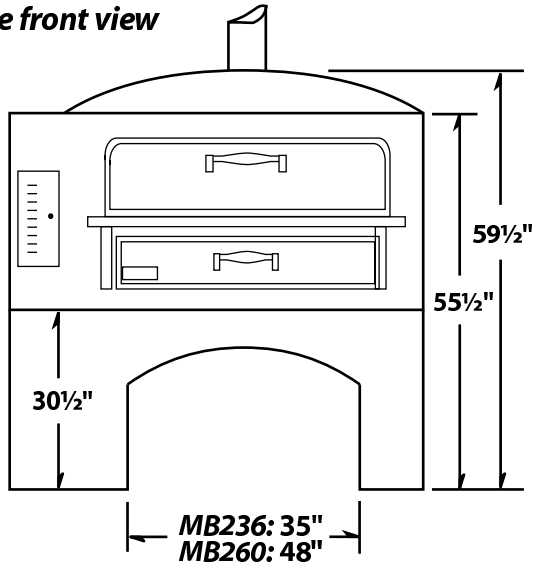


MB Slice Oven Specifications

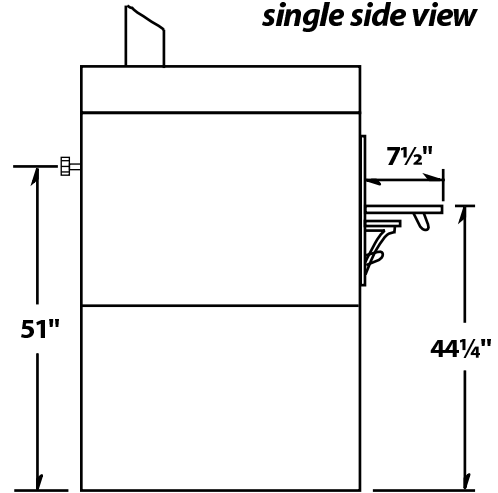
Model No. MB236, MB260

Phone: (631) 226-6688
FAX: (631) 226-6890

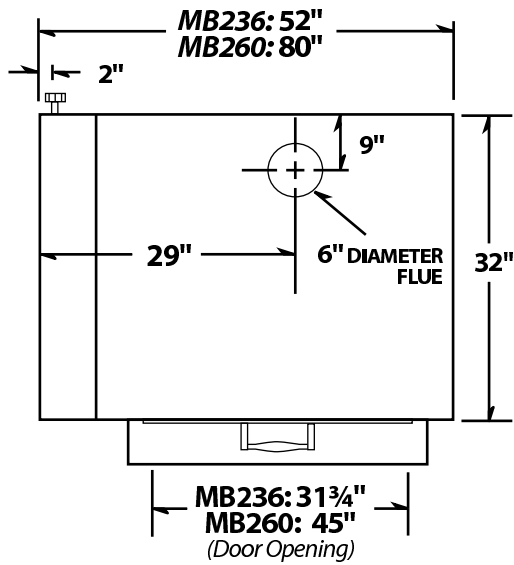
single front view



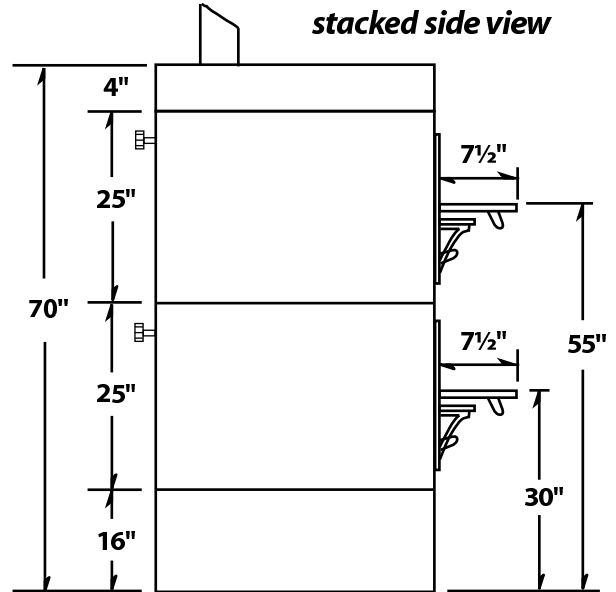
single side view



top view



stacked side view



	MB 236 Single	MB 236 Stacked	MB 260 Single	MB 260 Stacked
Height	59 1/2"	70"	59"	60"
Depth x Length	32" x 52"	32" x 52"	32" x 80"	32" x 80"
Cooking Surface	24" x 36"	24" x 36" x 2	24" x 60"	24" x 60" x 2
BTUs	LP: 50,000	LP: 50,000 x 2	LP: 80,000	LP: 80,000 x 2
	NAT: 50,000	NAT: 50,000 x 2	NAT: 80,000	NAT: 80,000 x 2
Shipping Weight	780 lbs.	1,470 lbs.	1,150 lbs.	2,200 lbs.

