



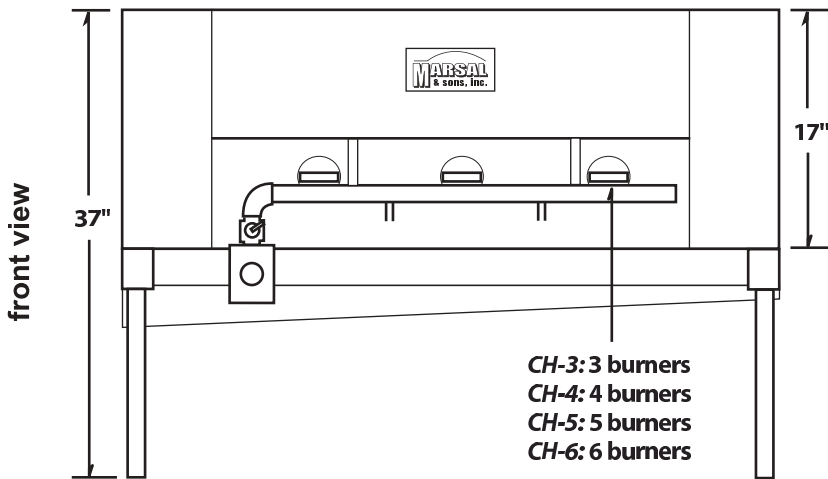
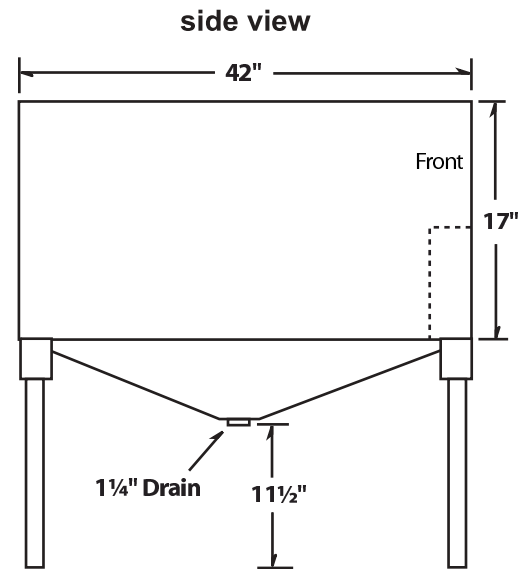
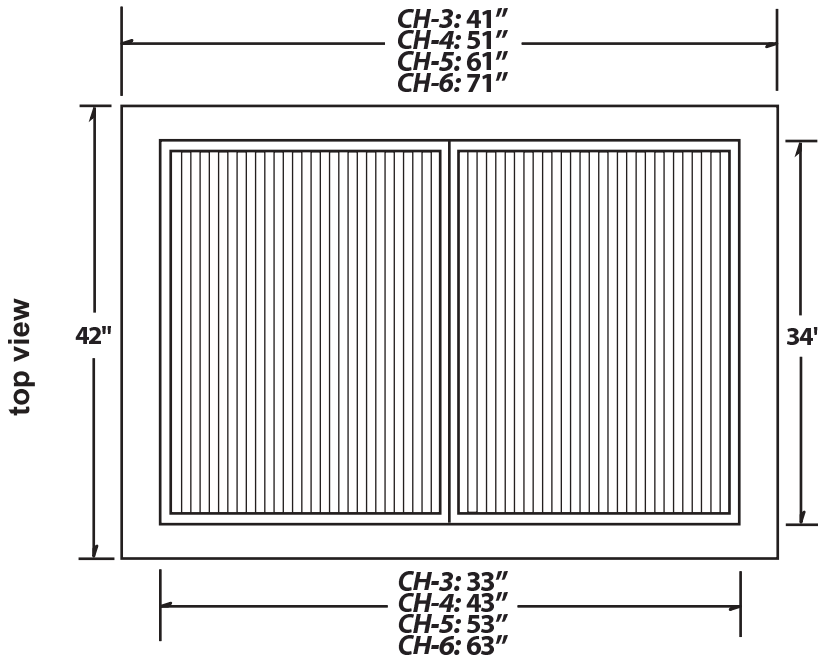
# Chicken Range Specifications

Model No. CH-3, CH-4, CH-5, CH-6

Phone: (631) 226-6688

FAX: (631) 226-6890

CH-3 Shown



	CH-3	CH-4	CH-5	CH-6
Height	37"	37"	37"	37"
Depth x Length	42" x 41"	42" x 51"	42" x 61"	42" x 71"
No. of Burners	3	4	5	6
Grill Size	34" x 33"	34" x 43"	34" x 53"	34" x 63"
	20-25 chicken halves	25-30 chicken halves	30-40 chicken halves	40-50 chicken halves



Made in the USA