

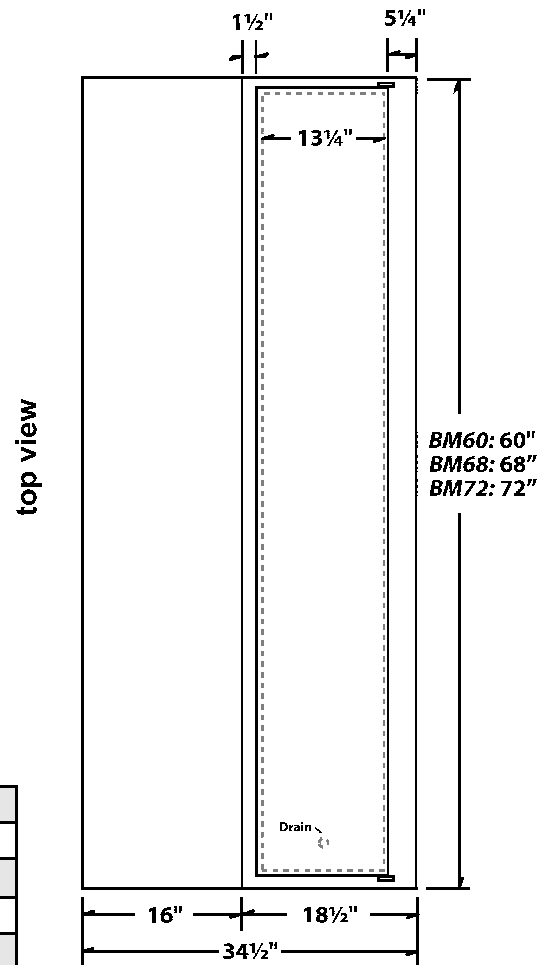
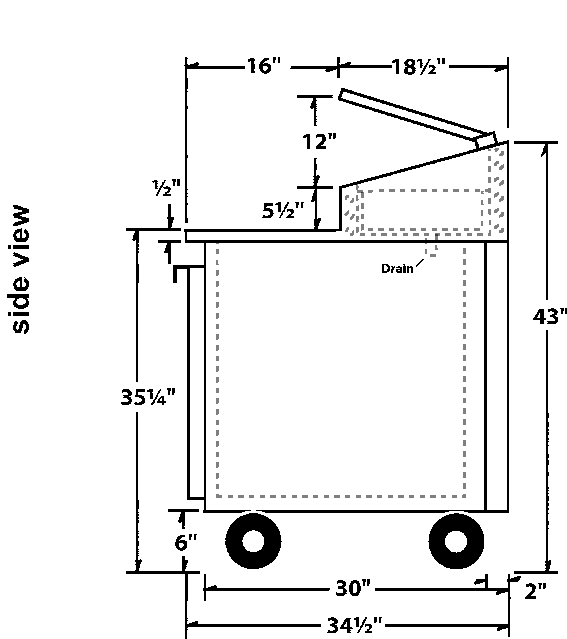


2-Door Standard Prep Table Specifications

Model No. BM62, BM68 & BM72

Phone: (631) 226-6688

FAX: (631) 226-6890



	BM 62	BM 68	BM 72
Height (including wheels)	43"	43"	43"
Depth x Length	34 1/2" x 62"	34 1/2" x 68"	34 1/2" x 72"
Electrical	115 VAC	115 VAC	115 VAC
Refrigerant Type	R134a	R134a	R134a
Horsepower/Amp.	1/3 HP / 7.2 amp	1/2 HP / 8.8 amp	1/2 HP / 8.8 amp
Number of Doors	1 (19"w) + 1 (17"w)	2 (19"w)	2 (19"w)

