

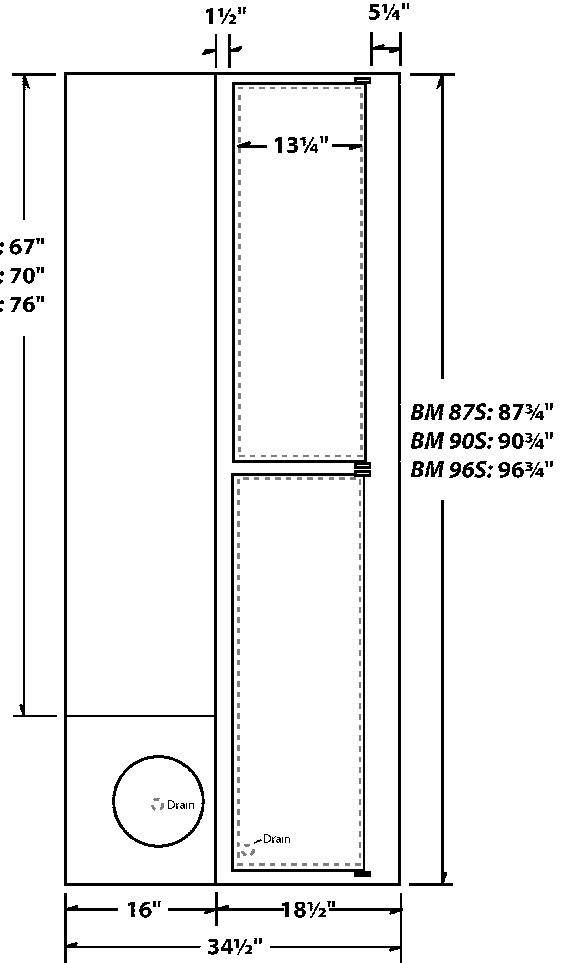
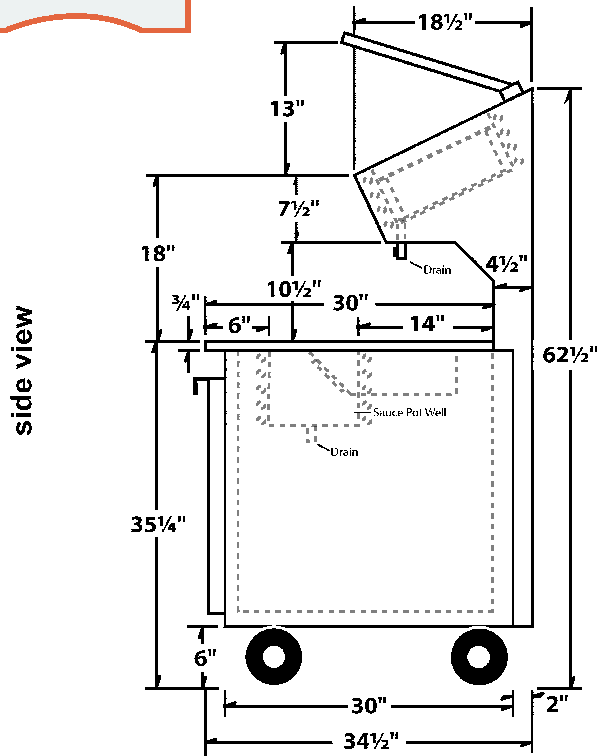


3 Door Prep Table Supreme Specifications

Model No. BM87S, BM90S & BM96S

Phone: (631) 226-6688

FAX: (631) 226-6890



	BM 87S	BM 90S	BM 96S
Height (including wheels)	62 1/2"	62 1/2"	62 1/2"
Depth x Length	34 1/2" x 87"	34 1/2" x 90"	34 1/2" x 96"
Electrical	115 VAC	115 VAC	115 VAC
Refrigerant Type	R134a	R134a	R134a
Horsepower/Amp.	3/4HP / 13 amp	3/4HP / 13 amp	3/4HP / 13 amp
Number of Doors	3 (19"w)	3 (19"w)	3 (19"w)

