



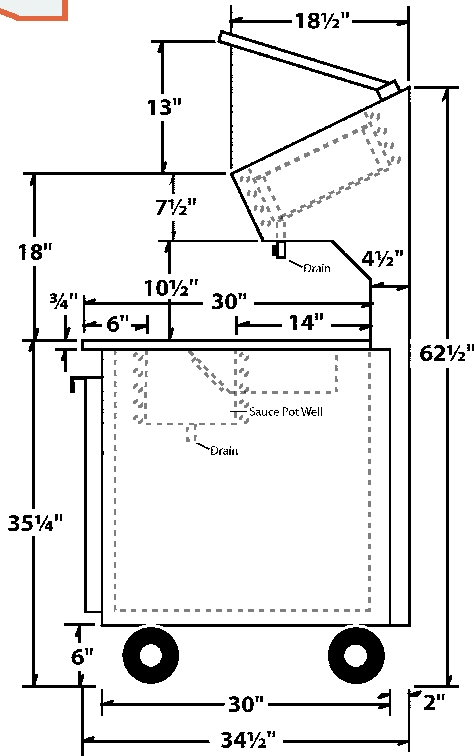
84" Length 3 Door Prep Table Supreme Specifications

Phone: (631) 226-6688

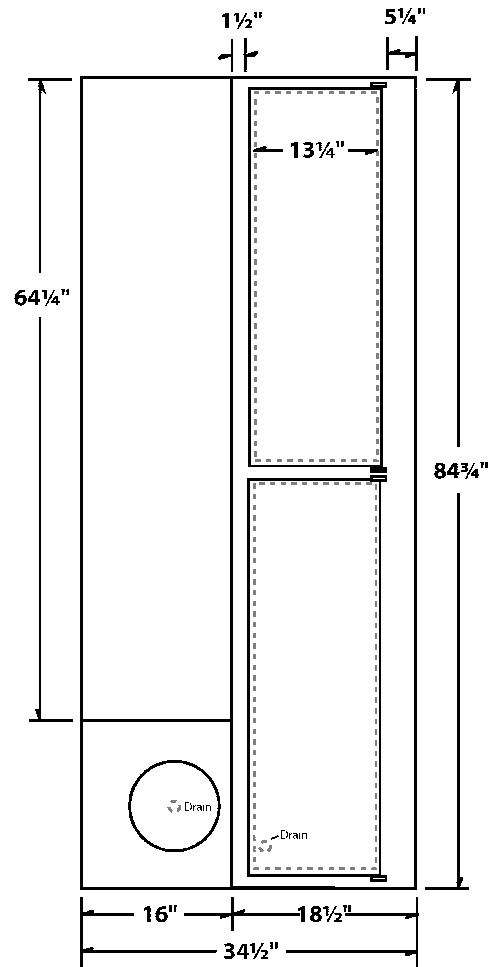
Model No. BM84S

FAX: (631) 226-6890

side view



top view



BM 84S

Height (including wheels)	62 1/2"
Depth x Length	34 1/2" x 84"
Electrical	115 VAC
Refrigerant Type	R134a
Horsepower/Amp.	3/4HP / 13 amp
Number of Doors	2 (19"w) + 1 (17"w)

front view

